

COMPETITIVE INTERSTATE ACCESS

Regulations, Rates and Charges Applicable to

Interstate Access

Provided by

Northwest Fiber, LLC
d/b/a Ziply Fiber

Services herein are provided by means of wire, fiber optics, or any other suitable technology or a combination thereof.

ISSUING CARRIERS

The Regulations, Rates and Charges presented in this tariff are applicable to the following Issuing Carriers. Wire center locations for this Issuing Carrier are located in National Exchange Carrier Association Tariff FCC No. 4.

Northwest Fiber, LLC in its capacity as a Independent Local Exchange Carrier (Ziply Fiber ILEC) for the (T)
State of: Washington.

TRANSMITTAL NO. 8

CHECK SHEET

Section I to Section XI inclusive of this tariff are effective as of the date shown. Original and revised pages, as named below are in effect on the date indicated.

<u>Page</u>	<u>Number of Revision Except As Indicated</u>	<u>Page</u>	<u>Number of Revision Except As Indicated</u>	<u>Page</u>	<u>Number of Revision Except As Indicated</u>
Section I	Original	23	Original	21	Original
1	1st	24	Original	22	Original
2	1st	25	Original	23	Original
3	1st	26	Original	24	Original
4	Original	27	Original	25	Original
5	Original	28	Original	26	Original
6	Original	29	Original	27	Original
7	Original	30	Original	28	Original
8	Original	31	Original	29	Original
9	Original			30	Original
10	Original	Section IV	Original	31	Original
11	Original	1	Original	32	Original
12	Original	2	Original	33	Original
13	Original	3	Original	34	Original
		4	Original	35	Original
Section II	Original	5	Original	36	Original
		6	Original	37	Original
Section III	Original	7	Original	38	Original
1	Original	8	Original	39	Original
2	Original			40	Original
3	Original	Section V	Original	41	Original
4	Original	1	Original	42	Original
5	Original	2	Original	43	Original
6	Original	3	Original	44	Original
7	Original	4	Original	45	Original
8	Original	5	Original	46	Original
9	Original	6	Original	47	Original
10	Original	7	Original	48	Original
11	Original	8	Original	49	Original
12	Original	9	Original	50	Original
13	Original	10	Original	51	Original
14	Original	11	Original	52	Original
15	Original	12	Original	53	Original
16	Original	13	Original	54	Original
17	Original	14	Original	55	Original
18	Original	15	Original	56	Original
19	Original	16	Original	57	Original
20	Original	17	Original	58	Original
21	Original	18	Original	59	Original
22	Original	19	Original	60	Original
23	Original	20	Original	61	Original

TRANSMITTAL NO. 8

CHECK SHEET (Continued)

<u>Page</u>	<u>Number of Revision Except As Indicated</u>	<u>Page</u>	<u>Number of Revision Except As Indicated</u>	<u>Page</u>	<u>Number of Revision Except As Indicated</u>
Section VI	Original				
Section VII	Original				
1	Original				
2	Original				
3	Original				
4	Original				
5	Original				
6	1st				
Section VIII	Original				
Section IX	Original				
Section X	Original				
Section XI	Original				
1	Original				
2	Original				
3	Original				
4	Original				
5	Original				
6	Original				
7	Original				
8	Original				
9	Original				
10	Original				
11	Original				
12	Original				
13	Original				
14	Original				

TRANSMITTAL NO. 8

SECTION INDEX

<u>SECTION</u>	<u>DESCRIPTION</u>	<u>SHEET NO.</u>
I.	INTRODUCTORY SHEETS AND DEFINITIONS	
	Title Page	1
	Check Sheet	2
	Section Index	4
	Reference to Other Tariffs	8
	Reference to Technical Publications	8
	Concurring Carriers	9
	Connecting Carriers	9
	Other Participating Carriers	9
	Explanation of Symbols	10
	Explanation of Abbreviations	11
II.	APPLICATION OF TARIFF	
III.	GENERAL REGULATIONS	
	A. <u>Responsibilities of the Telephone Company</u>	1
	1. <i>Scope</i>	1
	2. <i>Limitations</i>	1
	3. <i>Liability</i>	1
	4. <i>Provision of Service</i>	3
	5. <i>Maintenance of Service</i>	3
	6. <i>Changes and Substitutions</i>	3
	7. <i>Discontinuance and Refusal of Facilities</i>	3
	8. <i>Preemption of Service</i>	4
	B. <u>Use</u>	4
	1. <i>Interference or Impairment</i>	4
	2. <i>Unlawful Use of Service</i>	5
	C. <u>Obligation of the Customer</u>	5
	1. <i>Scope</i>	5
	2. <i>Telephone Company Access to Equipment</i>	6
	3. <i>Equipment Space and Power</i>	6
	4. <i>Theft</i>	6
	5. <i>(Reserved for Future Use)</i>	6
	6. <i>Damages</i>	6
	7. <i>References to Telephone Company</i>	7
	8. <i>Claims and Demands for Damages</i>	7
	9. <i>Availability for Testing</i>	7
	10. <i>Design of Customer Services</i>	7
	11. <i>Coordination with Respect to Network Contingencies</i>	8

12. *Rights-of-Way*

8

SECTION INDEX (Continued)

D. <u>Payment Arrangements and Credit Allowances</u>	8
1. <i>Payment of Charges and Deposits</i>	8
2. <i>Minimum Periods</i>	10
3. <i>Cancellation of an Order</i>	10
4. <i>Credit Allowance for CIA Interruptions</i>	10
E. <u>Connections</u>	12
1. <i>General</i>	12
2. <i>Standard Access Service Connections</i>	12
F. <u>Definitions</u>	12
G. <u>Services Provided By More Than One Telephone Company</u>	24
1. <i>General</i>	24
2. <i>Single Company Billing</i>	24
3. <i>Meet Point Billing</i>	25
IV. ORDERING OPTIONS FOR CIA	
A. <u>General</u>	1
1. <i>Order Conditions</i>	1
2. <i>Provision of Other Services</i>	3
3. <i>Special Construction</i>	3
B. <u>Access Service Request</u>	3
1. <i>Service Date Intervals</i>	3
2. <i>ASR Modifications</i>	3
3. <i>Selection of Facilities for Access Service</i>	5
4. <i>Minimum Period</i>	5
5. <i>Minimum Period Charges</i>	5
6. <i>Cancellation of an ASR</i>	6
C. <u>Access Service Requests for Services Provided by More Than One Telephone Company</u>	7
V. SWITCHED ACCESS	
A. <u>General</u>	1
B. <u>Description of Switched Access</u>	1
1. <i>Descriptions of Feature Groups</i>	2
2. <i>(Reserved for Future Use)</i>	10
3. <i>Description of Switched Transport</i>	11
4. <i>Description of End Office Services</i>	17
5. <i>End Office Services Optional Arrangements</i>	18
6. <i>Call Restriction and Code Screening Reports</i>	27
7. <i>Installation and Acceptance Testing of Switched Access</i>	27
8. <i>Provision of Design Layout Report</i>	28
9. <i>Network Management</i>	28
10. <i>(Reserved For Future Use)</i>	28
11. <i>800/866/888/877 Customer Identification Function</i>	28

SECTION INDEX (Continued)

12. <i>900 Customer Identification Function</i>	28
13. <i>Design and Routing of Switched Access</i>	29
14. <i>Provision of Switched Access Performance Data</i>	29
15. <i>Transmission Performance</i>	29
16. <i>Design Blocking Probability</i>	29
17. <i>(Reserved For Future Use)</i>	30
18. <i>(Reserved For Future Use)</i>	30
19. <i>800/866/888/877 Data Base Query Service</i>	31
20. <i>500 Customer Identification Function</i>	31
C. <u>Obligations of the Customer</u>	32
1. <i>On and Off-Hook Supervision</i>	32
2. <i>ASR Requirements</i>	32
3. <i>Jurisdictional Determination</i>	33
D. <u>Payment Arrangements and Credit Allowances</u>	34
1. <i>(Reserved For Future Use)</i>	34
2. <i>Cancellation of Applications</i>	35
3. <i>Credit Allowances</i>	35
E. <u>Rate and Charge Regulations</u>	35
1. <i>Rate Elements</i>	35
2. <i>Rate Regulations</i>	35
3. <i>(Reserved For Future Use)</i>	52
4. <i>(Reserved For Future Use)</i>	52
5. <i>(Reserved For Future Use)</i>	52
6. <i>(Reserved For Future Use)</i>	52
7. <i>(Reserved For Future Use)</i>	52
8. <i>(Reserved For Future Use)</i>	52
9. <i>Shared Use Analog and Digital High Capacity Services</i>	52
F. <u>Rate and Charges</u>	53
1. <i>Nonrecurring Charges</i>	53
2. <i>Switched Transport</i>	54
3. <i>End Office Services</i>	56
4. <i>(Reserved For Future Use)</i>	57
5. <i>(Reserved For Future Use)</i>	57
6. <i>(Reserved For Future Use)</i>	57
7. <i>(Reserved For Future Use)</i>	57
8. <i>(Reserved For Future Use)</i>	57
9. <i>(Reserved For Future Use)</i>	57
10. <i>(Reserved For Future Use)</i>	57
11. <i>(Reserved For Future Use)</i>	57
12. <i>Carrier Identification Parameter (CIP)</i>	58

VI. (RESERVED FOR FUTURE USE)

SECTION INDEX (Continued)

VII.	MISCELLANEOUS SERVICES	
	A. <u>General</u>	1
	B. <u>Additional Labor</u>	1
	C. <u>Maintenance of Service Charge</u>	2
	D. <u>(Reserved For Future Use)</u>	3
	E. <u>(Reserved For Future Use)</u>	3
	F. <u>Additional Testing</u>	3
VIII.	(RESERVED FOR FUTURE USE)	
IX.	(RESERVED FOR FUTURE USE)	
X.	(RESERVED FOR FUTURE USE)	
XI.	SPECIAL CONSTRUCTION	
	A. <u>General</u>	1
	1. <i>Conditions Requiring Special Construction</i>	1
	2. <i>Filing of Changes</i>	1
	3. <i>Ownership of Facilities</i>	2
	4. <i>Interval to Provide CIA</i>	2
	5. <i>Special Construction Involving Interstate and Intrastate CIA</i>	2
	B. <u>Liabilities, Charges and Payments</u>	2
	1. <i>General</i>	2
	2. <i>Payment of Charges</i>	2
	3. <i>State/End of Billing</i>	2
	4. <i>Partial Payments</i>	3
	5. <i>Development of Liabilities and Charges</i>	3
	6. <i>Types of Contingent Liabilities</i>	3
	7. <i>Types of Charges</i>	4
	8. <i>Application of Charges</i>	12
	C. <u>Deferral of the In-Service of CIA</u>	13
	1. <i>General</i>	13
	2. <i>Construction Has Not Started</i>	13
	3. <i>Construction Has Started But is Not Complete</i>	13
	4. <i>Construction Complete</i>	13
	D. <u>Charges for Customers Choosing the Optional Liability Period to Provide Permanent CIA</u>	14
	E. <u>Charges for Customers Choosing the Standard Liability Period to Provide Permanent CIA</u>	14

REFERENCE TO OTHER TARIFFS

Whenever reference is made in this tariff to other tariffs, the reference is to the tariffs in force as of the effective date of this tariff, and to amendments thereto and successive issues thereof.

The following tariff is referenced in this tariff and may be obtained from the National Exchange Carrier Association, 80 South Jefferson Road, Whippany, NJ 07981-1009 or in electronic format on the Internet at www.neca.org.

National Exchange Carrier Association, Inc.
Tariff F.C.C. No. 4

REFERENCE TO TECHNICAL PUBLICATIONS

- (1) NECA Technical Reference Publication AS No. 1 – Issued March, 1984; entire issue
Addendum - Issued March, 1987
- (2) GTE Technical Interface Reference Manual-GR-334-CORE, Issue 3 - Issued May, 1993
- (2) GTE Service Corporation Telephone Operations – Traffic Grade of Service Standards, Issued April, 1985; entire issue
- (3) Multiple Exchange Carrier Access Billing (MECAB) Guidelines – Issued June, 1994.
- (4) Multiple Exchange Carrier Ordering and Design (MECOD) Guidelines - Issued May, 1994.
- (5) 47 C.F.R. FCC Rules and Regulations, Part 64.401, Part 68.108 and Part 68.110
Issued: 10-01-98 Available 10-01-98

CONCURRING CARRIERS

No Concurring Carriers

CONNECTING CARRIERS

No Connecting Carriers

OTHER PARTICIPATING CARRIERS

No Other Participating Carriers

EXPLANATION OF SYMBOLS

Whenever tariff sheets are filed, changes will be identified by the following symbols:

- (C) To signify changed listing, condition, rule or regulation
- (D) To signify discontinued material
- (I) To signify increase
- (M) To signify material transferred from one sheet to another sheet of the same or a different schedule with no change in text, rate, condition, rule or regulation
- (N) To signify new material
- (R) To signify reduction
- (S) To signify reissued matter
- (T) To signify change in text but no change in rate, condition, rule or regulation
- (Z) To signify a correction

EXPLANATION OF ABBREVIATIONS

AAM – Assumed Access Minutes
ac – alternating current
ACAT – Additional Cooperative Acceptance Testing
ACD – Automatic Call Distributor
ACNA – Access Customer Name Abbreviation
ACTL – Access Customer Terminal Location
AIOD – Automatic Identification of Outward Dialed
AM - Access Minutes
ANI – Automatic Number Identification
ARD – Automatic Ringdown
ASG – Access Services Group
ASR – Access Service Request
AST – Automatic Scheduled Testing
AT&TC – American Telephone and Telegraph Communications, Inc.
BHMC – Busy Hour Minutes of Capacity
BP - Billing Percentage
CAC – Carrier Access Code
CCS – Centum Call-Seconds
CCSA – Common Control Switching Arrangement(s)
CDL – Customer Designated Location
CDM – Call Days in Month
CFA – Connecting Facility Assignment
CIA – Competitive Interstate Access
CIC – Carrier Identification Code
CIP – Carrier Identification Parameter
CMF – Chargeable Minimum Factor
COMPS – Central Office Maintenance Planning System
CST – Cooperative Scheduled Testing
CSU – Circuit Switching Unit
DA – Digital Data Access
DAM – Distance in Airline Miles
dB – Decibel
dBm – Decibels below one milliwatt
dBmO – Transmission Level Referred to the Zero Transmission Level Point
dBmCO – Decibel Reference Noise C-Message Weighted O
dBv – Decibels Referred to One Volt
dc – direct current
DDS – Digital Data Service
DTMF - Dual Tone Multifrequency
DX – Duplex
ECCKT – Exchange Carrier Circuit ID
ELEPL – Equal Level Echo Path Loss
E&M – The Receive and Transmit Leads of a Signaling System
EML – Expected Measured Loss
EPL – Echo Path Loss
ERL – Echo Return Loss
f – frequency
FCC – Federal Communications Commission
FCO – Foreign Central Office Service
FIA – Facilities for Interstate Access

EXPLANATION OF ABBREVIATIONS (Continued)

FNPA – Foreign Numbering Plan Area
GSEC – General Services and Equipment Code
HC – High Capacity
HNPA – Home Numbering Plan Area
Hz – Hertz
IA – Interface Arrangement
IC – Interexchange Carrier
ICB – Individual Case Basis
IDDD – International Direct Distance Dialing
ILP – Initial Liability Period
IP – Interconnection Point
kbps – kilobits per second
kHz – kilohertz
LATA – Local Access and Transport Area
LEC – Local Exchange Carrier
Ma – Milliamperes
Mbps – Megabits per second
MHz – Megahertz
MJU – Multi-Junction Unit
MRC – Monthly Recurring Charge
MST – Manual Scheduled Testing
MTL – Maximum Termination Liability
NA - Not Available
NANP – North American Numbering Plan
NECA – National Exchange Carrier Association
NPA – Numbering Plan Area
NRC – Nonrecurring Charge
NST – Nonscheduled Testing
NXX – Three Digit Central Office Code
OPS – Off-Premises Station
PBX – Private Branch Exchange
PCM – Pulse Code Modulation
POT – Point of Termination
RMC – Recurring Monthly Charge
rms – root-mean-square
SCFA – Secondary Connecting Facility Assignment
SF – Single Frequency
SRL – Singing Return Loss
STR – Switched Transport Rate
TDCF – Total Day Conversion Factor
TLP – Transmission Level Point
TV – Television
UL – Under Utilization Liability
VG – Voice Grade
V&H – Vertical & Horizontal
WA – Wideband Analog
WATS – Wide Area Telecommunications Service

II. APPLICATION OF TARIFF

This Tariff contains the description, regulations, and rates applicable to Competitive Interstate Access Facilities, hereinafter referred to as CIA, provided by the Northwest Fiber Companies d/b/a ZiPLY Fiber, hereinafter referred to as the Telephone Company, outside of its franchise territories.

Regulations, rates and charges as specified in this tariff apply only to the Telephone Company's offering of CIA to the customer. The regulations, rates and charges do not apply to any customer offering of services to its subscribers. The provision of facilities and services by the Telephone Company as set forth in this tariff does not constitute a joint undertaking with the customer for the furnishing of its services.

III. GENERAL REGULATIONS

<p>A. <u>Responsibilities of the Telephone Company</u></p>	
<p>1. <i>Scope</i></p>	
<p>a. The Telephone Company undertakes to provide CIA where facilities are available and pursuant to the rates, regulations, terms, and conditions specified herein. Special Construction rates and regulations may apply where facilities are not available.</p>	
<p>b. The Telephone Company does not undertake to transmit calls or offer a telecommunications service under this tariff.</p>	
<p>c. The Telephone Company shall be responsible for the installation, operation and maintenance of the services it provides.</p>	
<p>d. The Telephone Company reserves the right, with prior notice, to access and to temporarily interrupt service for purposes of maintaining the company owned facilities used in providing service. Maintenance will be performed during hours that will minimize the impact of disruptions to the customer and/or its subscribers. In addition, negotiated unscheduled or emergency situations may necessitate additional interruption time.</p>	
<p>e. Facilities are provided twenty-four (24) hours daily, seven (7) days per week.</p>	
<p>2. <i>Limitations</i></p> <p>The emergency provisioning and restoration of CIA shall be in accordance with Part 64, Subpart D, Paragraph 64.401, of the FCC's Rules and Regulations, which specifies the restoration priority for such activities.</p>	
<p>3. <i>Liability</i></p>	
<p>a. The Telephone Company's liability, if any, for willful misconduct is not limited by this tariff. With respect to any other claim or suit by a customer for damages associated with the installation, provision, termination, maintenance, repair or restoration of its facilities, and subject to the provisions of <i>b.</i> and <i>c.</i>, the Telephone Company's liability, if any, shall not exceed an amount equal to the proportionate charge for the service for the period during which the provision of service was affected. This liability for damages shall be in addition to any amounts that may otherwise be due the customer under this tariff as a credit allowance for a provision of service interruption.</p>	
<p>b. The Telephone Company shall not be liable for any act or omission of any other carrier or customer providing a portion of a service, nor shall the Telephone Company, for its own act or omission, hold liable any other carrier or customer providing a portion of a service.</p>	

III. GENERAL REGULATIONS (Continued)

<p>c. The Telephone Company shall be indemnified, defended and held harmless by the customer against any claim, loss or damage arising from the use of services offered under this tariff. The foregoing indemnity shall issue on the customer separately, each being responsible for its own acts and omissions, involving:</p> <ul style="list-style-type: none"> - Claims for libel, slander, invasion of privacy, or infringement of copyright arising from any communications; 	
<ul style="list-style-type: none"> - Claims for patent or copyright infringement arising from combining or using the service furnished by the Telephone Company in connection with facilities or equipment furnished by the customer; or 	
<ul style="list-style-type: none"> - All other claims arising out of any act or omission of the customer in the course of using services provided pursuant to this tariff. 	
<p>d. The Telephone Company does not guarantee or make any warranty with respect to its services when used in an explosive atmosphere. The Telephone Company shall be indemnified, defended and held harmless by the customer from any and all claims by any person relating to the services so provided. The foregoing indemnity shall issue on the customer separately, each being responsible for its own acts and omissions.</p>	
<p>e. Except in the case of willful misconduct, under no circumstances whatever shall the Telephone Company be liable for indirect, incidental, special or consequential damages; and this disclaimer shall be effective notwithstanding any other provisions hereof.</p>	
<p>f. No license under patents is granted by the Telephone Company to the customer or shall be implied or arise by estoppel in the customer's favor with respect to any circuit, apparatus, system or method used by the customer in connection with services provided under this tariff.</p>	
<p>g. The Telephone Company's failure to provide or maintain its Facilities under this tariff shall be excused by labor difficulties, governmental orders, civil commotions, acts of God and other circumstances beyond the Telephone Company's reasonable control, subject to the interruption allowance provisions.</p>	
<p>h. The Telephone Company will indemnify and save harmless the customer from liability for defacement or damage to the premises of the customer which defacement or damages directly results from the furnishing of facilities for the video transport system or by removal thereof, and when such defacement or damage is the direct result of the negligence of the Telephone Company's employees or agents.</p>	
<p>i. Except in an emergency situation, the Telephone Company shall not rearrange, disconnect, remove or attempt to repair any equipment installed by the customer except as authorized in writing by the customer. The Telephone Company shall be responsible for damages to the facilities of the customer which are directly caused by the negligence or wrongful act of the Telephone Company's employees or agents.</p>	

III. GENERAL REGULATIONS (Continued)

<p>4. <i>Provision of Services</i></p> <p>The Telephone Company, to the extent that CIA can be made available with reasonable effort, will provide to the customer, upon reasonable notice, such offered in this tariff at rates and charges herein.</p>	
<p>Facilities provided to a customer under this tariff may be connected directly to customer facilities, and/or may be connected to facilities of another telephone company or companies in the joint provisioning of Interstate Access</p>	
<p>5. <i>Maintenance of Service</i></p> <p>The service provided under this tariff shall be maintained by the Telephone Company. The customer or others may not rearrange, move, disconnect, remove or attempt to repair any CIA provided by the Telephone Company, other than by connection or disconnection to any interface means used, except with the written consent of the Telephone Company.</p>	
<p>6. <i>Changes and Substitutions</i></p> <p>Except as provided for equipment and systems subject to Part 68 of the FCC Rules and Regulations in 47 C.F.R. Paragraph 68.110(b), the Telephone Company may, where such action is reasonably required in the operation of its business, substitute, change, or rearrange any telephone plant used in providing facilities under this tariff, change minimum network protection criteria, change operating or maintenance characteristics of facilities, or change operations or procedures of the Telephone Company. In case of any such substitution, change or rearrangement, the facility parameters will be within generally accepted standards. The Telephone Company shall not be responsible if any such substitution, change or rearrangement renders any customer furnished services obsolete or requires modification or alteration thereof or otherwise affects their use or performance.</p> <ul style="list-style-type: none"> - Should a major substitution, rearrangement or change occur, the Telephone Company shall notify the customer, in writing, at least one year in advance. A major change is described as any change in telephone plant which will affect the technical parameters of the interface (e.g., level, impedance, signaling, interface, bandwidth, two-wire, four-wire, etc.). 	
<ul style="list-style-type: none"> - Should a minor substitution, rearrangement or change occur, the Telephone Company shall notify the customer at least thirty (30) days in advance. A minor change is described as any change in telephone plant which will not affect the technical parameters of the interface (e.g., level, impedance, signaling, interface, bandwidth, two-wire, four-wire, etc.). 	
<p>The Telephone Company will work cooperatively with the customer relative to the redesign and implementation required by the change in operating characteristics.</p>	
<p>7. <i>Discontinuance and Refusal of Facilities</i></p> <ul style="list-style-type: none"> a. For failure to comply with the provisions of <i>III.B.2.</i>, <i>III.C.1.</i>, <i>III.C.6.</i>, and <i>III.D.1.d.</i>, including any payments to be made by it on the dates or at the times herein specified, the Telephone Company may discontinue the provision of the Facilities to the noncomplying customer. In case of such discontinuance, all applicable charges shall become due. 	

III. GENERAL REGULATIONS (Continued)

<p>b. If the customer repeatedly fails to comply with the provisions of this tariff in connection with the provision of facilities and fails to correct such course of action, the Telephone Company may refuse applications for additional facilities to the noncomplying customer until the course of action is corrected.</p>	
<p>8. <i>Preemption of Service</i></p> <p>In certain instances, i.e., when spare facilities and/or equipment are not available, it may be necessary to preempt existing services to provision or restore National Security Emergency Preparedness (NSEP) Services. If, in its best judgement, the Telephone Company deems it necessary to preempt, then the Telephone Company will ensure that:</p> <p>a. A sufficient number of public switched services are available for public use if preemption of such services is necessary to provision or restore NSEP Service.</p>	
<p>b. The service(s) preempted have a lower or do not contain NSEP assigned priority levels.</p>	
<p>c. A reasonable effort is made to notify the preempted service customer of the action to be taken.</p>	
<p>d. A credit allowance for any preempted service shall be made in accordance with the provisions in Section III.D.4.a.</p>	
<p>B. <u>Use</u></p> <p>1. <i>Interference or Impairment</i></p> <p>a. The characteristics and methods of operation of any circuits, facilities or equipment provided by other than the Telephone Company, including customer transmission equipment associated with the services provided under this tariff shall not interfere with or impair service over any facilities of the Telephone Company, its connecting and concurring carriers, or other telephone companies involved in its services, cause damage to their plant, impair the privacy of any communications carried over their facilities or create hazards to their employees or to the public.</p>	
<p>b. Except as provided for equipment or systems subject to Part 68 of the FCC Rules and Regulations in 47 C.F.R. Paragraph 68.108, if such characteristics or methods of operation are not in accordance with a., the Telephone Company will, where practicable, notify the customer, as appropriate, that temporary discontinuance of the use of service may be required; however, where prior notice is not practicable, nothing contained herein shall be deemed to preclude the Telephone Company's right to temporarily discontinue forthwith the use of its facilities if such action is reasonable in the circumstances. In case of such temporary discontinuance the customer will be promptly notified and afforded the opportunity to correct the condition which gave rise to the temporary discontinuance.</p>	

III. GENERAL REGULATIONS (Continued)

<p>2. <i>Unlawful Use of Service</i></p> <p>Facilities are furnished subject to the condition that it will not be used for an unlawful purpose. Service will be terminated if any law enforcement agency, acting within its apparent jurisdiction, advises in writing that such service is being used in violation of any applicable law, rule or regulation. The Telephone Company will refuse to furnish service when it has reasonable grounds to believe that such service will be used in violation of any law, rules or regulations, or Telephone Company's operating procedures.</p>	
<p>The Telephone Company may suspend service immediately upon verbal notice by a law enforcement agency, acting within its apparent jurisdiction, or if the Telephone Company otherwise determines, that the customer is using the service in a manner which violates any applicable law, rule or regulation, or Telephone Company's operating procedures.</p>	
<p>C. <u>Obligation of the Customer</u></p> <p>1. <i>Scope</i></p> <p>a. The customer shall comply with all applicable FCC regulations and applicable laws, rules and regulations, in connection with its use of the service, both current and as may come into effect, including, but not limited to, copyright, retransmission consent, obscenity and indecency restrictions and requirements. The customer's compliance shall be performed in a manner assuring that customer's use of the service shall not directly or indirectly cause the Telephone Company, or its affiliates, officers, directors or employees, to be called upon to account for or defend themselves in any forum, proceeding or inquiry, nor shall the customer's use of the service require the Telephone Company, or its affiliates, officers, directors or employees, to commence or participate in a proceeding seeking the protection of a court or agency.</p> <p>b. The customer is responsible for notifying the Telephone Company of any interruption of service upon ascertaining that it is not caused by any action or omission within the control of the customer or its subscribers.</p> <p>c. The customer or agent of the customer shall not rearrange, move, disconnect, remove or attempt to repair any equipment installed by the Telephone Company except as authorized in writing by the Telephone Company.</p> <p>d. The customer may not assign or transfer the use of facilities provided under this tariff except that, where there is no interruption of use or relocation of the facilities, such assignment or transfer may be made to:</p> <ul style="list-style-type: none"> - Another customer, whether an individual, partnership, association or corporation, provided the assignee or transferee assumes all outstanding indebtedness for such facilities, and the unexpired portion of the minimum period and the termination liability applicable to such facilities, if any; or to 	

III. GENERAL REGULATIONS (Continued)

<p>- A court appointed receiver, trustee or other person acting pursuant to law in bankruptcy, receivership, reorganization, insolvency, liquidation or other similar proceedings, provided the assignee or transferee assumes the unexpired portion of the minimum period and the termination liability applicable to such facilities, if any.</p>	
<p>In all cases of assignment or transfer, the written acknowledgement of the Telephone Company is required prior to such assignment or transfer, which acknowledgement shall be made within fifteen (15) days from the receipt of notification. All regulations and conditions contained in this tariff shall apply to such assignee or transferee.</p>	
<p>The assignment or transfer of facilities for not relieve or discharge the assignor or transferor from remaining jointly or severally liable with the assignee or transferee for any obligations existing at the time of the assignment or transfer.</p>	
<p>2. <i>Telephone Company Access to Equipment</i></p> <p>The customer shall provide to the Telephone Company a point of entry to customer premises for purposes of installing, maintaining, testing and/or repairing Telephone Company provided equipment.</p>	
<p>3. <i>Equipment Space and Power</i></p> <p>The customer shall furnish or arrange to have furnished to the Telephone Company at no charge, equipment space and electrical power required by the Telephone Company to provide service under this tariff. The equipment space provided shall meet industry standard environmental conditions. The selection of ac or dc power shall be mutually agreed to by the customer and the Telephone Company. The customer shall also make necessary arrangements in order that the Telephone Company will have access to such spaces at reasonable times for installing, repairing or removing facilities of the Telephone Company.</p>	
<p>4. <i>Theft</i></p> <p>The customer shall reimburse the Telephone Company for any loss through theft of facilities utilized in providing CIA at the customer designated location or at the end user's premises. The amount of reimbursement shall be the actual cost for replacement of facilities or equipment lost, plus labor costs as specified in <i>VII.B.</i>.</p>	
<p>5. <i>(Reserved for Future Use)</i></p>	
<p>6. <i>Damages</i></p> <p>The customer shall reimburse the Telephone Company for damages to the Telephone Company facilities utilized to provide CIA caused by:</p> <ul style="list-style-type: none"> - the negligence or willful act of the customer, or 	
<ul style="list-style-type: none"> - resulting from the customer's improper use of the Telephone Company facilities, or 	

III. GENERAL REGULATIONS (Continued)

<p>- due to malfunction of any facilities or equipment provided by other than the Telephone Company.</p>	
<p>7. <i>References to Telephone Company</i></p> <p>The customer may advise its end users that certain facilities are provided by the Telephone Company in connection with the service the customer furnishes to its end users; however, the customer shall not represent that the Telephone Company jointly participates in the customer's services.</p>	
<p>8. <i>Claims and Demands for Damages</i></p> <p>With respect to claims of patent infringement or copyright made by third persons, the customer shall defend, indemnify, protect and save harmless the Telephone Company from and against all claims arising out of the combining with, or use in connection with, the services provided under this tariff, any circuit, apparatus, system or method provided by the customer, the IC or its end users.</p>	
<p>The customer shall defend, indemnify and save harmless the Telephone Company from and against suits, claims, and demands by third persons arising out of the construction, installation, operation, maintenance, or removal of the customer's circuits, facilities, or equipment connected to the Telephone Company's facilities provided under this tariff including, without limitation, Workmen's Compensation claims, actions for infringement of copyright and/or unauthorized use of program material, libel and slander actions based on the content of communications transmitted over the customer's circuits, facilities or equipment, and proceedings to recover taxes, fines, or penalties for failure of the customer to obtain or maintain in effect any necessary certificates, permits, licenses or other authority to acquire or operate the services provided under this tariff; provided, however, the foregoing indemnification shall not apply to suits, claims, and demands to recover damages for damage to property, death, or personal injury unless such suits, claims or demands are based on the tortious conduct of the customer, its officers, agents or employees.</p>	
<p>9. <i>Availability for Testing</i></p> <p>The services provided under this tariff shall be available to the Telephone Company at times mutually agreed upon in order to permit the Telephone Company to make tests and adjustments appropriate for maintaining the service in satisfactory operating condition. Such tests and adjustments shall be completed within a reasonable time. No credit will be allowed for any interruptions involved during such tests and adjustments.</p>	
<p>10. <i>Design of Customer Services</i></p> <p>Subject to the provisions of III.A.6., the customer shall be solely responsible at its expense for the overall design of its services. The customer shall be responsible at its own expense, for any redesigning or rearrangement of its services which may be required because of changes in facilities operations or procedures of the Telephone Company, minimum network protection criteria or operating or maintenance characteristics of the facilities.</p>	

III. GENERAL REGULATIONS (Continued)

<p>11. <i>Coordination With Respect to Network Contingencies</i></p> <p>The customer shall, in cooperation with the Telephone Company, coordinate in planning the actions to be taken to maintain maximum network capability following natural or man-made disasters which affect telecommunications services.</p>	
<p>12. <i>Rights-of-Way</i></p> <p>To the extent that customers possess rights-of-way which have been granted or obtained for purposes of providing service to their subscribers, and to the extent lawfully permitted, customers shall permit the Telephone Company to use, at no cost to either the Telephone Company or customer, such rights-of-way for purposes of providing service.</p>	
<p>D. <u>Payment Arrangements and Credit Allowances</u></p>	
<p>1. <i>Payment of Charges and Deposits</i></p> <p>a. The Telephone Company may, in order to safeguard its interests, require a customer, which has a proven history of late payments to the Telephone Company or does not have established credit, to make a deposit prior to or at any time after the provision of service to the customer to be held by the Telephone Company as a guarantee of the payment of rates and charges. No such deposit will be required of a customer which is a successor of a company which has established credit and has no history of late payments to the Telephone Company.</p>	
<p>A deposit may not exceed the actual or estimated rates and charges for the service for a two month period. The fact that a deposit has been made in no way relieves the customer from complying with the Telephone Company's regulations as to the prompt payment of bills.</p>	
<p>At such time as the provision of service to the customer is terminated, the amount of the deposit will be credited to the customer's account and any credit balance which may remain will be refunded. After the customer has established a one year prompt payment record, such a deposit will be refunded or credited to the customer account at any time prior to the termination of the provision of the service to the customer.</p>	
<p>In case of a cash deposit, for the period the deposit is held by the Telephone Company, the customer will receive simple annual interest at the percentage rate specified in the Telephone Company General and/or Local Tariff.</p>	
<p>b. Where the provision of service requires facilities that meet any of the conditions specified in <i>XI.A.1.</i>, Special Construction charges in Section <i>XI.</i> will apply.</p>	
<p>c. The Telephone Company shall bill services on a current basis for a.) all charges incurred, b.) applicable taxes, and c.) credits due the customer.</p>	
<p>Switched Access (except for the Entrance Facility Direct-Trunked Transport and Multiplexing elements), and miscellaneous services shall be billed in arrears.</p>	

III. GENERAL REGULATIONS (Continued)

<p>Adjustments for the quantities of service established or discontinued in any billing period beyond the minimum period in <i>IV.B.4.</i> will be prorated to the number of days based on a thirty (30) day month. The Telephone Company will, upon request and if available, furnish such detailed information as may reasonably be required for verification of any bill.</p>	
<p>d. All bills to the customer are due thirty-one (31) days (payment date) after the bill date or by the next bill date (i.e., same date in the following month as the bill date), whichever is the shortest interval. In the event the customer does not remit payment in immediately available funds by the payment date, service may be discontinued as specified in <i>III.A.7.</i></p> <p>(1) If the entire amount billed is not received by the Telephone Company in immediately available funds by the payment date, an additional charge (late payment charge) equal to 1/12th of the percentage rate for deposit interest as that in <i>III.D.1.a.</i> of the unpaid balance will be applied for each month or portion thereof that an outstanding balance remains.</p>	
<p>If such payment date would cause payment to be due on a Saturday, Sunday or Holiday (i.e., New Year's Day, Independence Day, Labor Day, Thanksgiving Day, Christmas Day, the second Tuesday in November and a day when Washington's Birthday, Memorial Day or Columbus Day is legally observed), payment for such bills will be due from the customer as follows:</p> <ul style="list-style-type: none"> - If such payment date falls on a Saturday or on a Holiday which is observed on Tuesday, Wednesday, Thursday or Friday, the payment date shall be the last non-Holiday day preceding such Saturday or Holiday. 	
<ul style="list-style-type: none"> - If such payment date falls on a Sunday or on a Holiday which is observed on a Monday, the payment date shall be the first non-Holiday day following such Sunday or Holiday. 	
<p>(2) In the event of a billing dispute, the customer must submit a documented claim for the disputed amount.</p> <ul style="list-style-type: none"> - If the claim is received within six (6) months of the payment due date, and the customer has paid the total billed amount, any interest credits due the customer upon resolution of the dispute shall be calculated from the date of overpayment. 	
<ul style="list-style-type: none"> - If the claim is received more than six (6) months from the payment due date, any interest credits due the customer upon resolution of the dispute shall be calculated from the later of the date the claim was received or the date of overpayment. 	
<p>A credit will be granted to the customer for both the disputed amount paid and an amount equal to the percentage rate in (1).</p>	
<p>The Telephone Company will assess or credit late payment charges on disputed amounts to the customer as follows:</p> <ul style="list-style-type: none"> - If resolved in favor of the Telephone Company and the customer has paid the disputed amount on or before the payment due date, no late payment charges will apply. 	

III. GENERAL REGULATIONS (Continued)

<p>- If resolved in favor of the Telephone Company and the customer has withheld the disputed amount, any payments withheld pending settlement of the dispute shall be subject to the late payment charge in (1).</p>	
<p>- If resolved in favor of the customer and the customer has withheld the disputed amount, the customer shall be credited for each month or portion thereof that the late payment charge in (1) may have been applied. In the event the customer has paid the late payment charge, a credit will be granted to the customer for both the late payment charge paid on disputed amount and an amount equal to the percentage rate in (1).</p>	
<p>2. <i>Minimum Periods</i></p> <p>The minimum periods for which services under this tariff are provided and for which rates and charges are applicable are in IV.B.4..</p>	
<p>3. <i>Cancellation of an Order</i></p> <p>Provisions for the cancellation of service orders are in IV.B.6..</p>	
<p>4. <i>Credit Allowance for Service Interruptions</i></p> <p>a. General</p> <p>Facilities for CIA are interrupted when they become unusable to the customer because of a failure of a component used to furnish such facilities under this tariff, or when the service is preempted as a result of invoking NSEP Treatment or when the application of protective controls interrupt all transmission paths. An interruption period starts when Telephone Company personnel become aware that such facilities are inoperative.</p>	
<p>The credit allowance(s) for an interruption or for a series of interruptions will be computed based upon the billing method which applies to the service being credited. In no case will the credit allowance for service interruptions exceed the applicable charges for the billing period during which the interruption occurred.</p>	
<p>For Switched Access service, billed using assumed minutes of use, a credit allowance will be made for an interruption of twenty-four (24) hours or more. The credit allowance will be calculated at 1/30 of the assumed minutes of use charge for each twenty-four (24) hours or major fraction thereof that the interruption continues. A major fraction is considered to be thirteen (13) hours. No credit will be given where Switched Access billing is based on actual usage.</p>	
<p>For Switched Access service interrupted by an NXX isolation a credit will be given the billed customer of record utilizing the following formula:</p>	
<p>300 Minutes of Use X the appropriate switched access rate X the number of trunks out of service = the credit allowance</p>	

III. GENERAL REGULATIONS (Continued)

<p>NXX isolation is defined as a situation whereby a customer in an NPA-NXX is unable to originate a call to the carrier network and/ or receive a call from the carrier network.</p>	
<p>The credit will apply when an out of service condition of thirty (30) minutes or more occurs within the Telephone Company's switched facilities. The credit allowance will not be applied more than once per calendar month. A credit allowance will not be extended in accordance with conditions in <i>III.A.3.h.</i> and <i>III.D.4.b.</i> for repair of Telephone Company owned facilities.</p>	
<p>Switched Access Service Entrance Facilities, Direct-Trunked Transport and Multiplexing will be eligible for a credit allowance for each occurrence of a service interruption period greater than thirty (30) minutes. The maximum credit allowance will be two hundred dollars (\$200.00) for each out of service condition within the Telephone Company's facilities. The credit allowance will not exceed the monthly charge for the interrupted service and will not be applied more than once per calendar month. This credit allowance is applicable in all jurisdictions. A credit allowance will not be extended in accordance with conditions in <i>III.A.3.h.</i> and <i>III.D.4.b.</i> for repair of Telephone Company owned facilities.</p>	
<p>In the event that service does not meet the required specifications due to the fault or failure of the Telephone Company, and such failure is not corrected within four (4) hours of receipt of notice from the customer, the customer shall be entitled to service credits for such outages. The credit allowance shall be equal to 1/30th of the monthly charges for the portion of the service affected for such four-hour period and thereafter for each subsequent twenty-four (24) hour period that such outage continues. The credit allowance shall not exceed the applicable monthly charges for the interrupted service for the billing period during which the interruption occurred.</p>	
<p>b. When Credit Allowance Does Not Apply</p> <p>No credit allowance will be made for</p> <p>(1) Interruptions caused by the negligence of the customer.</p>	
<p>(2) Interruptions of facilities for due to the failure of equipment or systems provided by the customer or others.</p>	
<p>(3) Interruptions of facilities for during any period in which the Telephone Company is not afforded access to the premises where such facilities are terminated.</p>	
<p>(4) Interruptions of facilities for during an agreed upon period when the customer has released such facilities to the Telephone Company for maintenance purposes, to make rearrangements, or for the implementation of an order for a change in facilities. Should the maintenance, rearrangement, or order implementation interruption period extend beyond the agreed upon period, credit allowance will apply.</p>	
<p>(5) Interruptions of facilities which continue because of the failure of the customer to authorize replacement of any element of Special Construction, as set forth in Section XI. following. The period for which no credit allowance is made begins on the seventh day after the Telephone Company's written notification to the customer of the need for such replacement and ends on the day after receipt of the customer's written authorization for such replacement.</p>	

III. GENERAL REGULATIONS (Continued)

<p>(6) Periods when the customer elects not to release facilities for testing and/or repair and continues to use it on an impaired basis.</p>	
<p>(7) An interruption or a group of interruptions, resulting from a common cause, for amounts less than one dollar.</p>	
<p>c. Use of an Alternative Service Provided by the Telephone Company</p> <p>Should the customer elect to use an alternative service provided by the Telephone Company during the period that facilities for CIA are interrupted, the customer must pay the tariffed rates and charges for the alternative service used.</p>	
<p>d. Temporary Surrender of Facilities</p> <p>In certain instances, the customer may be requested to surrender facilities for CIA for purposes other than maintenance, testing or activity relating to an order. If the customer consents, or in the instance of preemption under NSEP Treatment as set forth in Section <i>III.A.8.</i> preceding, a credit allowance will be granted. The credit allowance will be determined in accordance with <i>III.D.4.a.</i> preceding.</p>	
<p>E. <u>Connections</u></p> <p>1. <i>General</i></p> <p>Equipment and systems (i.e., terminal equipment, multiline terminating systems, and communications systems) may be connected with Switched furnished by the Telephone Company where such connection or interconnection is made in accordance with the provisions specified in the NECA Technical Reference Publication AS No. 1 and in <i>III.A.</i> preceding.</p>	
<p>2. <i>Standard Access Service Connections</i></p> <p>Access services are provided by means of wire, fiber optics, radio or any other suitable technology or a combination thereof. These connections can either be analog or digital.</p>	
<p>F. <u>Definitions</u></p> <p>Certain terms used herein are defined as follows:</p> <p><i>Access Area</i></p> <p>The term "Access Area" denotes a specific calling area containing those customers served by one or more Central Offices associated with the various Switched Access provisions offered under this tariff. The size and configuration of the Access Area a customer obtains is dependent upon the Feature Group type and the specific characteristics of the Central Office or Access Tandem office to which the connection is made.</p>	

III. GENERAL REGULATIONS (Continued)

<p><i>Access Code</i></p> <p>The term "Access Code" applies to Switched Access Service. It denotes a uniform seven-digit code dialed by an end user to access an Interexchange Carrier's facilities. The Carrier Access Code (CAC) has the form 101XXXX and the Carrier Identification Code (CIC) has the form 950-XXXX.</p>	
<p><i>Access Group</i></p> <p>The term "Access Group" denotes a grouping of lines or trunks used to establish a connection between switching systems. Each grouping of lines or trunks is traffic engineered as a unit with each of the individual members of the group having identical characteristics and being interchangeable with any other member of the group.</p>	
<p><i>Access Minutes</i></p> <p>The term "Access Minutes" denotes that usage of exchange facilities in interstate or foreign service for the purpose of calculating chargeable usage. On the originating end of an interstate or foreign call, usage is measured from the time the originating End User's call is delivered by the Telephone Company to and acknowledged as received by the customer's facilities connected with the originating exchange. On the terminating end of an interstate or foreign call, usage is measured from the time the call is received by the End User in the terminating exchange. Timing of usage at both originating and terminating ends of an interstate or foreign call shall terminate when the calling or called party disconnects, whichever event is recognized first in the originating and terminating end exchanges, as applicable. For the calculation of total minutes, seconds are totaled and converted to minutes before rounding occurs. Remainder seconds greater than twenty-nine (29) are rounded to a minute.</p>	
<p><i>Access Service Request</i></p> <p>The term "Access Service Request" (ASR) denotes a document (i.e., order) used by the Telephone Company to process a customer's request for Access Services as offered throughout this tariff.</p>	
<p><i>Access Tandem</i></p> <p>The term "Access Tandem" denotes a telephone company switching system that provides a traffic concentration and distribution function for inter-LATA traffic originating from or terminating at end offices in the access area.</p>	
<p><i>Agent</i></p> <p>The term "Agent" is defined as that person or entity that the Telephone Company acknowledges as controlling decisions pertaining to public or semipublic Pay telephone Service or, that person or entity duly authorized to act in that capacity by the physical owner of the premises.</p>	
<p><i>Aggregator</i></p> <p>The term "Aggregator" denotes any individual, partnership, association, joint-stock company, trust or corporation that, in the ordinary course of its operations, makes telephones available to the public or to transient users of its premises, for interstate telephone calls using a provider of operator services.</p>	

III. GENERAL REGULATIONS (Continued)

<p><i>Answer/Disconnect Supervision</i></p> <p>The term "Answer/Disconnect Supervision" denotes the transmission of the switch trunk equipment supervisory signal (off-hook or on-hook) to the CDL for terminating calls to the Telephone Company end office as an indication that the called party has answered or disconnected.</p>	
<p><i>Attempt</i></p> <p>The term "Attempt" denotes a call in the originating direction from an end user to the CDL which is completed (answered) or not completed (not answered) and a call in the terminating direction from the CDL to a customer which is completed (Answered) or not completed (not answered).</p>	
<p><i>Balance (100-Type) Test Line</i></p> <p>The term "Balance (100-Type) Test Line" denotes a standard feature of FGA, FGB, FGC, FGD, 800, 877 and 888 Access Service, and refers to the end office termination provided for balance and noise testing. The termination provides off-hook supervision to the calling end, and terminates the line or trunk in a resistive and capacitive arrangement which simulates the characteristic impedance of the end office.</p>	
<p><i>BHMC</i></p> <p>See Busy Hour Minutes of Capacity.</p>	
<p><i>Business Day</i></p> <p>The term "Business Day" denotes the times of day that a company is open for business. Generally, in the business community, these are 8:00 or 9:00 a.m. to 5:00 or 6:00 p.m., respectively, with an hour for lunch, Monday through Friday, resulting in a standard forty (40) hour work week.</p>	
<p><i>Busy Hour Minutes of Capacity</i></p> <p>The term "Busy Hour Minutes of Capacity" (BHMC) denotes the trunk group usage load consisting of the average usage load for the busy season.</p>	
<p><i>Carrier Identification Code</i></p> <p>The term "Carrier Identification Code" (CIC) denotes the uniform access code associated with a specific Interexchange Carrier.</p>	
<p><i>C-Conditioning</i></p> <p>The term "C-Conditioning" denotes a telephone company special treatment of the transmission path in order to control attenuation and envelope delay distortion.</p>	
<p><i>C-Message Noise</i></p> <p>The term "C-Message Noise" denotes the frequency weighted average noise within an idle voice circuit. The frequency weighting, called C-message, is used to simulate the frequency characteristic of the 500-type telephone set and the hearing of the average subscriber.</p>	

III. GENERAL REGULATIONS (Continued)

<p><i>C-Notched Noise</i></p> <p>The term "C-Notched Noise" denotes the frequency weighted noise on a voice circuit with a holding tone, which is removed at the measuring end through a notch (very narrow band) filter.</p>	
<p><i>CCS</i></p> <p>The term "CCS" denotes a hundred call-seconds which is a standard unit of traffic load that is equal to 100 seconds of usage or capacity of a group of lines or trunks.</p>	
<p><i>Call</i></p> <p>The term "Call" denotes a communication including an off-hook signal and routing information initiated at the originating location and completed to a terminating location.</p>	
<p><i>Central Office</i></p> <p>The term "Central Office" denotes a telephone company local switching system where telephone company local service subscriber station loops are terminated for purposes of interconnection to each other and to trunks.</p>	
<p><i>Central Office Loop Around Test Line</i></p> <p>The term "Central Office Loop Around Test Line" denotes equipment in the Telephone Company's end office which provides a means for making two-way transmission tests for Switched Access services. These transmission tests are normally for the measurement of level and noise tests. This arrangement has two terminations, each reached by means of a separate seven-digit number.</p>	
<p><i>Central Office Prefix</i></p> <p>The term "Central Office Prefix" denotes the first three digits (NXX) of the telephone number assigned to a telephone company subscriber's local service.</p>	
<p><i>Centralized Automatic Reporting on Trunks (CAROT) Testing</i></p> <p>The term "Centralized Automatic Reporting on Trunks (CAROT) Testing" denotes a type of testing which includes the capacity for measuring the 1000 Hz loss, C-message weighted noise, C-notched noise, loss slope, and the provision of a balance termination.</p>	
<p><i>Channelize</i></p> <p>The term "Channelize" denotes the process of multiplexing demultiplexing circuits using analog or digital techniques.</p>	
<p><i>Circuit</i></p> <p>The term "Circuit" denotes an electrical or photonic, in the case of fiber optic based transmission systems, communications path between two or more points of termination.</p>	

III. GENERAL REGULATIONS (Continued)

<p><i>Common Line</i></p> <p>The term "Common Line" denotes a line, trunk, coin line or other facility provided under the Telephone Company General and/or Local Tariffs, terminated on a Central Office switch. A Common Line - Residence is a line or trunk provided under the residence regulations of the Telephone Company General and/or Local Tariffs. A Common Line - Business is a line or trunk provided under the business regulations of the Telephone Company General and/or Local Tariffs. A coin line is a line provided under the public and/or semi-public service regulations of the Telephone Company General and/or Local Tariffs.</p>	
<p><i>Confirmed ASR</i></p> <p>The term "Confirmed ASR" denotes a customer's ASR for Switched Access CIA which the Telephone Company has processed with the Engineering Department to confirm for the customer and the Telephone Company the availability of facilities and/or equipment. The date the ASR is confirmed, the standard service date interval commences.</p>	
<p><i>Confirming Design Layout Report Date</i></p> <p>The term "Confirming Design Layout Report (CDLR) Date" identifies the date that the Telephone Company is scheduled to receive confirmation that the Design Layout Report provided by the Telephone Company for a confirmed ASR is acceptable.</p>	
<p><i>Conventional Signaling</i></p> <p>The term "Conventional Signaling" denotes the inter-machine signaling system which has been traditionally used in North America for the purpose of transmitting the called number's address digits from the originating end office to the switching machine which will terminate the call. In this system, all of the dialed digits are received by the originating switching machine, a path is selected, and the sequence of supervisory signals and outputted digits is initiated. No overlap outputting, ten-digit ANI, ANI information digits, or acknowledgement wink are included in this signaling sequence.</p>	
<p><i>Customer</i></p> <p>The term "Customer" denotes any individual, partnership, association, joint-stock company, trust, corporation, or governmental entity or any other entity which subscribes to the services offered under this tariff.</p>	
<p><i>Customer Designated Location</i></p> <p>The term "Customer Designated Location" (CDL) denotes a location specified by the customer for the purpose of terminating CIA services. The Telephone Company must have access to the location to perform installation, testing, and maintenance functions. The customer may or may not have access to the location. CDLs include locations such as customer premises, end user premises, customer repeater stations, customer microwave towers, a Telephone Company's first point of switching, some other point where Telephone Company testing can occur, etc. A CDL may be designated by the customer.</p>	

III. GENERAL REGULATIONS (Continued)

<p><i>Daily Busiest Hour</i></p> <p>The term "Daily Busiest Hour" denotes the highest usage hour for each day with the reading taken on the clock hour or half hour. The clock hour or half hour selection varies from day to day, depending upon the usage measured. The Daily Busiest Hour is also known as the Bouncing Busy Hour.</p>	
<p><i>Dual Tone Multifrequency Address Signaling</i></p> <p>The term "Dual Tone Multifrequency (DTMF) Address Signaling" denotes a type of signaling that is an optional feature of FGA. It may be utilized when FGA is being used in the terminating direction. An office arranged for signaling would expect to receive address signals from the IC in the form of DTMF format.</p>	
<p><i>End Office Switch</i></p> <p>The term "End Office Switch" denotes a Telephone Company local switching system located in a wire center where Telephone Company local service subscriber station loops are terminated for purposes of originating and terminating traffic to or from a customer.</p>	
<p><i>End User</i></p> <p>The term "End User" means any customer of an interstate or foreign telecommunications service that is not a carrier, except that a carrier, other than the Telephone Company, shall be deemed to be an "end user" to the extent that such carrier uses a telecommunications service for administrative purposes, and a person or entity that offers telecommunications services exclusively as a reseller shall be deemed to be an "end user" if all resale transmissions offered by such reseller originate on the premises of such reseller (e.g., hotels, motels and shared tenant services).</p>	
<p><i>Engineering Review</i></p> <p>The term "Engineering Review" denotes the examination of an ASR with a customer requested change to determine if a design change is required. It includes, but is not limited to, the review for possible change requirements in equipment, interfaces, circuit configurations, engineering records, and billing.</p>	
<p><i>Entry Switch</i></p> <p>See First Point of Switching.</p>	
<p><i>Excess Capacity</i></p> <p>The term "Excess Capacity" denotes a quantity of CIA requested by the customer which is greater than that which the Telephone Company would construct to fulfill the customer's ASR.</p>	

III. GENERAL REGULATIONS (Continued)

<p><i>Exchange</i></p> <p>The term "Exchange" denotes a unit generally smaller than a Local Access and Transport Area (LATA), established by the Telephone Company for the administration of communications service in a specified area which usually embraces a city, town or village and its environs. It consists of one or more central offices together with the associated facilities used in furnishing communications service within that area. One or more designated exchanges comprise a given LATA.</p>	
<p><i>Exchange Access Signaling</i></p> <p>The term "Exchange Access Signaling" denotes the signaling system used by equal access end offices to transmit originating information and address digits to the customer's premises and includes the means of verifying the receipt of these address digits. Features of this system include overlap outpulsing (in suitably equipped end offices), identification of the type of call, identification of the ten-digit telephone number of the calling party, and acknowledgement wink supervisory signals.</p>	
<p><i>Extended Area Service</i></p> <p>The term "Extended Area Service" (EAS) denotes an arrangement whereby a customer in one exchange can call a local number in another exchange that is part of the extended area without paying a toll charge.</p>	
<p><i>Facility</i></p> <p>The term facility denotes generically the various transmission media used for the transmission of telecommunication services. This includes, but is not limited to, cable (copper pair, coaxial, and fiber optic) and microwave radio equipment.</p>	
<p><i>Firm Order Confirmation Date</i></p> <p>The term "Firm Order Confirmation (FOC) Date" denotes the date that the Telephone Company will provide the schedule of dates for the provisioning activities associated with the customer's request for service.</p>	
<p><i>First Point of Switching</i></p> <p>The term "First Point of Switching" denotes either the first telephone company location at which switching occurs on the terminating path of a call proceeding from the CDL to the terminating end office or the last telephone company location at which switching occurs on the originating path of a call proceeding from the originating end office to the CDL.</p>	
<p><i>Immediately Available Funds</i></p> <p>The term "Immediately Available Funds" denotes a corporate or personal check drawn on a bank account and funds which are available for use by the receiving party on the same day on which they are received and includes U.S. Federal Reserve bank wire transfers, U.S. Federal Reserve notes (paper cash), U.S. coins, U.S. Postal Money Orders, and New York Certificates of Deposit.</p>	

III. GENERAL REGULATIONS (Continued)

<p><i>Installed Cost</i></p> <p>The term "Installed Cost" denotes the total cost (estimated or actual) by the Telephone Company to provide facilities for the offered services.</p>	
<p><i>Interexchange Carrier (IC) or Interexchange Common Carrier</i></p> <p>The terms "Interexchange Carrier" (IC) or "Interexchange Common Carrier" denote any individual, partnership, association, joint stock company, trust, governmental entity or corporation engaged for hire in interstate or foreign communication by wire or radio, between two or more LATAs.</p>	
<p><i>Interstate Communications</i></p> <p>The term "Interstate Communications" denotes both interstate and foreign communications.</p>	
<p><i>Line</i></p> <p>The term "Line" denotes a communications path connecting an end office switch with an end user's premises or a CDL for the provision for FGA.</p>	
<p><i>Line Group</i></p> <p>The term "Line Group" denotes a grouping of lines which are traffic engineered as a unit for the establishment of connections between end office switches and customers in which all of the communications paths are interchangeable.</p>	
<p><i>Line Side Connection</i></p> <p>The term "Line Side Connection" denotes a connection of a transmission path to the line side of an end office system.</p>	
<p><i>Local Access and Transport Area</i></p> <p>The term "Local Access and Transport Area" (LATA) denotes a geographic area for the provision and administration of communications service. It encompasses designated Access Areas which are grouped to serve common social, economic, and other purposes.</p>	
<p><i>Maximum Termination Liability</i></p> <p>The term "Maximum Termination Liability" (MTL) denotes the maximum amount of money for which the customer is liable in the event all CIA ordered in a Special Construction case are discontinued before a specified period of time.</p>	
<p><i>Maximum Termination Liability Period</i></p> <p>The term "Maximum Termination Liability Period" denotes the length of time the customer is liable for a termination charge in the event specially constructed CIA are terminated. The MTL period is equal to the average account life of the CIA provided.</p>	

III. GENERAL REGULATIONS (Continued)

<p><i>Mobile Telephone Switching Office (MTSO)</i></p> <p>The term "Mobile Telephone Switching Office (MTSO)" denotes a Cellular Mobile Carrier (CMC) switching facility that is used to originate or terminate calls on the CMC network, or originate or terminate calls between the CMC and the public switched telephone network.</p>	
<p><i>Multicarrier Access Area</i></p> <p>The term "Multicarrier Access Area" denotes an EAS for FGA or an area for FGB where CIA Services are provided by more than one telephone company in which a customer obtains access to an entire EAS or FGB area by obtaining a FGA or FGB access tandem arrangement that connects its switch with the First Point of Switching of the Primary Exchange Carrier.</p>	
<p><i>National Security Emergency Preparedness (NSEP) Services</i></p> <p>The term "National Security Emergency Preparedness (NSEP) Services" denotes telecommunications services which are used to maintain a state of readiness or to respond to and manage any event or crisis (local, national or international), which causes or could cause injury or harm to the population, damage to or loss of property, or degrades or threatens the NSEP posture of the United States.</p>	
<p><i>Net Salvage</i></p> <p>The term "Net Salvage" denotes the estimated scrap, sale, or trade-in value, less the estimated cost of removal. Cost of removal includes the costs of demolishing, tearing down, removing, or otherwise disposing of the material and any other applicable costs. Because the cost of removal may exceed salvage, facilities may have negative net salvage.</p>	
<p><i>Network Address</i></p> <p>The term "Network Address" denotes the alphanumeric character string used to specify the destination of each switched connection made within the network.</p>	
<p><i>Non-Overlap Outpulsing</i></p> <p>The term "Non-Overlap Outpulsing" is the feature of the exchange access signaling system which provides initiation of pulsing to the customer's premises after the calling subscriber has completed dialing an originating call.</p>	
<p><i>Nonrecoverable Cost</i></p> <p>The term "Nonrecoverable Cost" denotes the cost of specially constructed facilities for which the Telephone Company has no foreseeable use should the customer terminate service.</p>	
<p><i>Nonsynchronous Test Line</i></p> <p>The term "Nonsynchronous Test Line" denotes an arrangement in step-by-step end offices which provides operational tests which are not as complete as those provided by the synchronous test lines, but which can be made more rapidly.</p>	

III. GENERAL REGULATIONS (Continued)

<p><i>North American Numbering Plan</i></p> <p>The term "North American Numbering Plan" denotes a three-digit area or Numbering Plan Area (NPA) code and a seven-digit telephone number made up of a three-digit Central Office code (NXX) plus a four-digit station number (XXXX).</p>	
<p><i>NSEP Treatment</i></p> <p>The term "NSEP Treatment" denotes the provisioning of a telecommunications service before others based on the provisioning priority level assigned by the Executive Office of the President.</p>	
<p><i>Off-Hook</i></p> <p>The term "Off-Hook" denotes the active condition of Switched Access or a Telephone Company local service line.</p>	
<p><i>On-Hook</i></p> <p>The term "On-Hook" denotes the idle condition of Switched Access or a Telephone Company local service line.</p>	
<p><i>Open Circuit Test Line</i></p> <p>The term "Open Circuit Test Line" denotes an arrangement in an end office which provides an ac open circuit termination of the trunk or line by means of an inductor of several Henries.</p>	
<p><i>Order Interval</i></p> <p>The term "Order Interval" denotes the interval between the Scheduled Issue Date and the Service Date.</p>	
<p><i>Originating Direction</i></p> <p>The term "Originating Direction" denotes the use of Switched Access for the origination of calls from an end user to a CDL.</p>	
<p><i>Overlap Outpulsing</i></p> <p>The term "Overlap Outpulsing" is the feature of the exchange access signaling system which permits initiation of pulsing to the customer's premises before the calling subscriber has completed dialing an originating call.</p>	
<p><i>OZZ Code</i></p> <p>The term "OZZ Code" denotes the service class routing code of a multifrequency (MF) call that indicates the interexchange carrier trunk group to which the traffic will be routed (e.g., 0+, 0-, 500, 900, etc.).</p>	

III. GENERAL REGULATIONS (Continued)

<p><i>Plant Test Date</i></p> <p>The term "Plant Test Date" denotes the date on which installation is completed and the Telephone Company to customer testing can begin.</p>	
<p><i>Point of Termination</i></p> <p>The term "Point of Termination" denotes the point of demarcation at a CDL or end user premises at which the Telephone Company's responsibility for the provision of CIA Service ends.</p>	
<p><i>Premises</i></p> <p>The term "Premises" denotes a building or buildings on continuous property (except Railroad Right-of-Way, etc.) not separated by a public highway.</p>	
<p><i>Pre-service Testing</i></p> <p>The term "Pre-service Testing" denotes tests performed on a CIA to assure standard transmission performance/parameters meet specifications prior to acceptance testing.</p>	
<p><i>Primary Exchange Carrier</i></p> <p>The term "Primary Exchange Carrier" (PEC) denotes the telephone company in whose exchange a customer's first point of switching (i.e., dial tone for FGA , an access tandem for FGB is located.</p>	
<p><i>Recoverable Cost</i></p> <p>The term "Recoverable Cost" denotes the cost of specially constructed facilities for which the Telephone Company has a foreseeable reuse, either in place or elsewhere should the customer terminate service.</p>	
<p><i>Registered Equipment</i></p> <p>The term "Registered Equipment" denotes the customer's terminal equipment which complies with or has been approved within the Registration Provisions of Part 68 of the FCC Rules and Regulations.</p>	
<p><i>Route Mileage</i></p> <p>The term "Route Mileage" denotes the actual Telephone Company provided facility mileage of a transmission circuit.</p>	
<p><i>Scheduled Issue Date</i></p> <p>The term "Scheduled Issue Date" denotes the date the Telephone Company is scheduled to issue the confirmed ASR to all associated work groups.</p>	

III. GENERAL REGULATIONS (Continued)

<p><i>Secondary Exchange Carrier</i></p> <p>The term "Secondary Exchange Carrier" (SEC) denotes the telephone company in whose exchange a customer does not subscribe to FGA or FGB service, but from whose exchange the customer's end users can call the interexchange switch or CDL of an IC in the primary exchange of another telephone company on a toll-free basis.</p>	
<p><i>Service Date</i></p> <p>The term "Service Date" denotes the date that the CIA is to be placed in service. A confirmed ASR is required to establish a service date.</p>	
<p><i>Serving Wire Center</i></p> <p>The term "Serving Wire Center" denotes the wire center from which the customer designated location would normally obtain dial tone from the Telephone Company. The "Serving Wire Center" is designated by the Telephone Company based upon the location being served.</p>	
<p><i>Seven-Digit Manual Test Line</i></p> <p>The term "Seven-Digit Manual Test Line" denotes a set of optional features for all Switched Access which allow the IC to select balance, milliwatt, and synchronous test lines of FGA by manually dialing a seven-digit number over the associated Switched Access.</p>	
<p><i>Short Circuit Test Line</i></p> <p>The term "Short Circuit Test Line" denotes the end office circuit which provides an ac short circuit termination of the trunk or line by means of a capacitor of at least 4 microfarads.</p>	
<p><i>Terminating Direction</i></p> <p>The term "Terminating Direction" denotes the use of Switched Access for the completion of calls from a CDL to an end user.</p>	
<p><i>Trunk</i></p> <p>The term "Trunk" denotes a communications path connecting two switching systems in a network, used in an end-to-end connection.</p>	
<p><i>Trunk Group</i></p> <p>The term "Trunk Group" denotes a grouping of trunks which are traffic engineered as a unit for the establishment of connections between switching systems in which all of the communications paths are interchangeable.</p>	
<p><i>Trunk Side Connection</i></p> <p>The term "Trunk Side Connection" denotes the connection of a transmission path to the trunk side of an end office switch.</p>	

III. GENERAL REGULATIONS (Continued)

<p><i>V&H Coordinates Method</i></p> <p>The term "V&H Coordinates Method" denotes a method of computing airline miles between two points by utilizing an established formula which is based on the Vertical (V) and Horizontal (H) coordinates of the two points.</p>	
<p><i>WATS Serving Office</i></p> <p>The term "WATS Serving Office" denotes a Telephone Company designated serving wire center where switching, screening and/or recording functions are performed in connection with a Special Access Line used with a Switching Interface as in <i>V.B.5.v.</i> The use of the terms WATS or WATS-type throughout this tariff is primarily for ordering purposes and is not intended to restrict the use of the customer services when ordering Special Access and Switched Access in combination.</p>	
<p><i>Wire Center</i></p> <p>The term "Wire Center" denotes a location in which one or more central office switches, and cross connection equipment used for the provision of Telephone Company telecommunications services, are located.</p>	
<p><i>Wire Center Area</i></p> <p>The term "Wire Center Area" denotes the geographic area served by a Wire Center through the use of central office switching equipment, cross connection equipment, and subscriber loops.</p>	
<p>G. <u>Services Provided by More Than One Telephone Company</u></p>	
<p>1. <i>General</i></p> <p>When Switched Transport service is provided by more than one telephone company, the telephone companies involved will mutually agree upon one of the billing methods based upon the type of access service and the interconnection arrangements between the telephone companies.</p>	
<p>The telephone company will notify the customer which billing method will be used. The customer will place the ASR as in <i>IV.C.</i></p>	
<p>2. <i>Single Company Billing</i></p> <p>The Single Company Billing method may be applied to FGA Switched Access Service.</p>	
<p>The telephone company receiving the ASR from the customer, as specified in <i>IV.C.1.a.</i>, will arrange to provide the service, determine the applicable charges and bill the customer for the entire service in accordance with its Access tariff. The airline mileage is determined using the V&H method in the NECA Tariff FCC No. 4.</p>	

III. GENERAL REGULATIONS (Continued)

<p>3. <i>Meet Point Billing</i></p> <p>Meet Point Billing is required when an access service is provided by multiple Telephone Companies¹ for FGB, FGC and FGD Switched Access services. It is optional for FGA Switched Access Services.</p>	
<p>There are two Meet Point Billing Options -- Single Bill and Multiple Bill. The Telephone Company must notify the customer of:</p> <ul style="list-style-type: none"> - the Meet Point Billing Option that will be used, 	
<ul style="list-style-type: none"> - the Telephone Company(s) that will render the bill(s), 	
<ul style="list-style-type: none"> - the Telephone Company(s) to whom payment(s) should be remitted, and 	
<ul style="list-style-type: none"> - the Telephone Company(s) that will provide the bill inquiry function. 	
<p>The Telephone Company shall provide such notification at the time that an ASR is placed <u>requesting</u> access service. Additionally, the Telephone Company shall provide this notice in writing 30 days in advance of any change.</p>	
<p>a. Single Bill Option</p> <p>The Single Bill Option allows the customer to receive one bill from one telephone company or its billing agent for access services.</p>	
<p>The Telephone Company(s) that renders the bill to the customer may provide to the customer, cross references to the other Telephone Company(s) service and/or the common circuit identifiers based upon industry standards as contained in the MECAB document. Should a billing dispute arise, the terms and conditions of the Billing Company(s) will apply.</p>	
<p>For usage rated access services the access minutes of use will be compiled by the Initial Billing Company and used by the Initial Billing Company and any subsequent Billing Company(s) for the development of access charges.</p> <ul style="list-style-type: none"> - The Initial Billing Company for FGB, FGC and FGD Switched Access services is normally the end user's serving office and for WATS usage the Initial Billing Company is normally the WATS serving office. When the Initial Billing Company is other than the normally designated Telephone Company, the Telephone Company will notify the customer. 	
<ul style="list-style-type: none"> - The Subsequent Billing Company(s) is any Telephone Company(s) in whose territory a segment of the Switched Transport Facility is provided and/or where the CDL is located. 	

¹ Meet Point Billing option guidelines, as contained in the MECAB document, may also be applied to CIA services provided by one exchange carrier in two or more states with a single LATA.

III. GENERAL REGULATIONS (Continued)

<p>The Single Bill option provides three billing alternatives, Single Bill/Single Tariff, Single Bill/Pass-Through Billing and Single Bill/Multiple Tariff which are described following:</p> <p>(1) Single Bill/Single Tariff</p> <p>Each Telephone Company will receive an ASR or a copy of the ASR from the customer as specified in <i>IV.C.1.b.</i> and arrange to provide the service. The Initial Billing Company will:</p> <ul style="list-style-type: none"> - determine the applicable charges and bill in accordance with its tariff; 	
<ul style="list-style-type: none"> - include all recurring and nonrecurring rates and charges of its tariff; and 	
<ul style="list-style-type: none"> - forward the bill to the customer. <p>The customer will remit the payment to the Initial Billing Company.</p>	
<p>(2) Single Bill/Pass-Through Billing</p> <p>Each Telephone Company will receive an ASR or a copy of the ASR from the customer as specified in <i>IV.C.1.b.</i> and arrange to provide the service. Each Telephone Company will:</p> <ul style="list-style-type: none"> - determine its portion of Switched Transport as in <i>III.G.2.c.</i>; 	
<ul style="list-style-type: none"> - determine the applicable charges and bill in accordance with its tariff; 	
<ul style="list-style-type: none"> - include all recurring and nonrecurring rates and charges of its tariff; and 	
<ul style="list-style-type: none"> - forward the bill to the Initial Billing Company for meet point billed access services. <p>The Initial Billing Company will:</p>	
<ul style="list-style-type: none"> - apply usage data, when needed, to the bill and calculate the charges; 	
<ul style="list-style-type: none"> - identify each involved Telephone Company's charges separately on the bill; 	
<ul style="list-style-type: none"> - combine all the bills of the involved Telephone Companies of a meet point billed access service into one access bill; 	
<ul style="list-style-type: none"> - forward the bill to the customer; and 	
<ul style="list-style-type: none"> - advise the customer how to remit the payment, either directly to each Telephone Company involved in the provision of this meet point billed service; or, as a single payment made to the Initial Billing Company. If payments are to be sent directly to the Initial Billing Company, the Subsequent Billing Company(s) will provide the customer with written authorization for the payment arrangement. 	

III. GENERAL REGULATIONS (Continued)

<p>(3) Single Bill/Multiple Tariff</p> <p>Each Telephone Company will receive an ASR or a copy of the ASR from the customer as specified in <i>IV.C.1.b.</i> and arrange to provide the service. The Initial Billing Company will:</p> <ul style="list-style-type: none"> - determine each Telephone Company's portion of switched transport and/or special transport as set forth in <i>III.G.3.a.(2)(c)</i>; 	
<ul style="list-style-type: none"> - determine the applicable charges and bill in accordance with each Telephone Company's tariff; 	
<ul style="list-style-type: none"> - include all recurring and nonrecurring charges for each involved Telephone Company; 	
<ul style="list-style-type: none"> - identify each involved Telephone Company's charges separately on the bill; 	
<ul style="list-style-type: none"> - forward the bill to the customer; and 	
<ul style="list-style-type: none"> - advise the customer how to remit the payment, either directly to each Telephone Company involved in the provision of this meet point billed service; or, as a single payment made to the Initial Billing Company. If payments are to be sent directly to the Initial Billing Company, the Subsequent Billing Company(s) will provide the customer with written authorization for the payment arrangement. 	
<p>b. Multiple Bill Option</p> <p>The Multiple Bill option allows all Telephone Companies providing service to bill the customer for their portion of a jointly provided access service. Each Telephone Company will:</p> <ul style="list-style-type: none"> - determine its portion of the Switched Transport as set forth in <i>III.G.3.a.(2)(c)</i>; 	
<ul style="list-style-type: none"> - determine the applicable charges and bill in accordance with its tariff; 	
<ul style="list-style-type: none"> - include all recurring and nonrecurring rates and charges of its tariff; and 	
<ul style="list-style-type: none"> - forward the bill to the customer. 	
<p>The customer will remit the payments directly to each Telephone Company.</p>	

III. GENERAL REGULATIONS (Continued)

<p>c. Meet Point Billing Mileage Calculation</p> <p>Each Telephone Company's portion of the Switched Transport and/or Special Transport mileage will be determined as follows:</p> <p>(1) For Switched Access Tandem-Switched Transport Services, determine the appropriate Tandem-Switched Transport – Facility total miles by computing the number of miles from the access tandem to the serving wire center in the Access Area (i.e., end user serving wire center, or WATS Serving Office), using the V&H method as set forth in the NECA Tariff FCC No. 4. For Switched Access Direct-Trunked Transport, determine the appropriate Direct-Trunked Transport total miles by computing the number of miles between the serving wire centers involved (i.e., CDL serving wire center, Hub Wire Center, WATS Serving Office, end office, or access tandem) using the V&H method as set forth in the NECA Tariff FCC No. 4. Where the calculated miles include a fraction, the value is rounded up to the next full mile.</p>	
<p>(2) Determine the billing percentage (BP), as set forth in the NECA Tariff FCC No. 4. This represents the portion of the Service provided by each telephone company.</p>	
<p>(3) For Switched Access Tandem-Switched Transport; 1.) multiply the number of access minutes of use times the number of airline miles as set forth in (1), times the BP of each Telephone Company as set forth in (2), times the Tandem-Switched Transport - Facility rate; 2.) multiply the Tandem-Switched Transport – Termination rate times the number of access minutes times the quantity of terminations.</p>	
<p>Example of Billing Percentage (BP) Method Using the Multiple Bill Option:</p> <p>The Tandem-Switched Transport - Facility between Office X and Office Y is jointly provided by telephone companies A and B. The following example reflects the rate for telephone company A. Rates for telephone company B would appear in its appropriate Access Tariff.</p> <p>(a) Airline miles from telephone company A (office X) to telephone company B (office Y) = 50 airline miles as set forth in NECA Tariff FCC No. 4.</p>	
<p>(b) Billing Percentage for each telephone company (from NECA Tariff FCC No. 4).</p> <p style="padding-left: 40px;">Telephone Company A = 40% Telephone Company B = 60%</p>	
<p>(c) Access Minutes for Telephone Company A = 9000.</p>	
<p>(d) Tandem-Switched Transport - Facility rate for Telephone Company A = SWT FAC</p>	
<p>(e) Tandem-Switched Transport - Termination Rate = SWT TERM</p>	
<p>NOTE: The Tandem-Switched Transport - Termination rate does not apply in situations where there is an intermediate, non-terminating Local Exchange Carrier involved in the provision of the Switched Transport Facility.</p>	

III. GENERAL REGULATIONS (Continued)

<p>Formula:</p> <p>Access Minutes (AM) x Airline Miles (ALM) x Billing Percentage (BP) x Tandem-Switched Transport – Facility Rate (SWT FAC) + [Tandem-Switched Transport - Termination Rate (SWT TERM) x Access Minutes (AM) x Quantity of Terminations (TERMS)] = Total</p>	
<p>Calculation:</p> <p>Telephone Company A</p> <p>AM ALM BP SWT FAC SWT TERM AM TERMS 9,000 x 50 x .40 x SWT FAC + [SWT TERM x 9,000 x TERMS]=TOTAL</p>	
<p>(4) For Switched Access Direct-Trunked Transport, multiply the number of airline miles as in (1), times the BP for each telephone company as in (2), times the Direct-Trunked Transport Facility rate elements. For DS1 and DS3 Special Transport and DS1 and DS3 Direct-Trunked Transport, multiply the Special Transport Termination or Direct-Trunked Transport Termination rate times the number of terminations provided by the Telephone Company.</p>	
<p>d. All other appropriate recurring and nonrecurring charges in each telephone company's Access tariff are applicable.</p>	
<p>e. Where the Tandem-Switched Transport - Facility is provided by more than one telephone company, the Tandem-Switched Transport - Termination rate applies for the termination at the Telephone Company end of the Tandem-Switched Transport (i.e., the first point of switching or the end office serving the end user). The Tandem-Switched Transport - Termination rate will not apply when the Telephone Company is the intermediate provider of the Switched Transport Facility.</p>	
<p>f. The Interconnection charge for Switched Transport shall be billed by the Telephone Company in whose territory the end office is located.</p>	
<p>g. The Shared Trunk Port for Tandem-Switched Transport shall be billed by the Telephone Company in whose territory the end office is located.</p>	
<p>h. For tandem routed trunks, the dedicated trunk port shall be billed by the Telephone Company owning the tandem. For end office direct routed trunks, the dedicated trunk port shall be billed by the Telephone Company owning the end office on a single bill, single tariff or multiple bill, multiple tariff meet point billing arrangement.</p>	
<p>i. The shared multiplexing charge will be assessed to the interexchange carrier by the Telephone Company owning the access tandem under the multiple bill, multiple tariff meet point billing option, and to the initial billing company, by the Telephone Company owning the access tandem, under the single bill, single tariff meet point billing option.</p>	

IV. ORDERING OPTIONS FOR CIA

<p>A. <u>General</u></p>	<p>This section sets forth the regulations and order related charges for CIA Orders to provide the customer with CIA. These charges are in addition to other applicable charges in other sections of this tariff.</p>
<p>1. <i>Order Conditions</i></p>	<p>a. A customer may order any amount of Switched CIA of the same interface type, same Feature Group, between the same locations for installation on the same date on a single CIA ASR.</p> <ul style="list-style-type: none"> - ASRs for FGA must specify the number of lines required
	<ul style="list-style-type: none"> - ASRs for FGB, FGC, FGD, and SAC Access Service must specify the number of trunks required or Busy Hour Minutes of Capacity (BHMC). For Tandem-Switched Transport, the customer has the option of specifying the number of trunks or Busy Hour Minutes of Capacity (BHMC).
	<ul style="list-style-type: none"> - In addition, the ASR must indicate whether the Switched Transport ordered is for Entrance Facilities, Direct-Trunked Transport and/or Tandem-Switched Transport. For Direct-Trunked Transport, and Entrance Facilities the ASR must specify channel type, channel interface, and any options desired. In addition, ASRs for Direct-Trunked Transport must specify Facility Hubs involved.
	<p>Additional ASR requirements for Switched Access Service are described in <i>V.B.5.v.</i> and <i>V.C.2.</i>.</p>
	<p>b. The customer shall supply all details necessary to complete an order. The details may include the following: requested service date, customer name, customer designated location, end office, Interface Arrangement, type of Switched Access or Special Access, Supplemental Features, End Office Services and Signaling Interface, and originating and terminating capacity required.</p>
	<p>c. When a customer orders mixed interstate and intrastate Switched Access, the customer is required to provide an estimate of the percent of traffic, as described in <i>V.C.3.</i>, which will be interstate. If the customer fails to provide this estimate, the order will not be processed until such time as the customer provides this estimate.</p>
	<p>d. When the Alternate Traffic Routing Optional Arrangement is ordered, more than one CDL will be supplied and the number of trunks or BHMC for FGB, FGC and FGD to each CDL shall be specified.</p>

IV. ORDERING OPTIONS FOR CIA (Continued)

<p>e. The customer shall order SAC Access Service, as described in <i>V.B.1.e.</i>, in the same manner as ordering FGD with the following exceptions. For 500 SAC Access Service or 900 SAC Access Service, customers may request direct connections to only those offices designated by the Telephone Company as 500 SAC Access Service or 900 SAC Access Service screening offices. All 500 NXX or 900 NXX code assignments and administration shall be in accordance with the North American Numbering Plan (NANP). 800, 888 SAC Access Service is offered only in conjunction with the 800/888 Customer Identification Function as described in <i>V.B.11.</i> and in conjunction with 800/888 Data Base Query Service as described in <i>V.B.19.</i> Customers may request 800/888 SAC access connections to suitably equipped end offices and access tandem offices. A list of those offices will be provided upon request. All 800 or 888 number assignments shall be administered by the Number Administration Service Center (NASC) through the Service Management System (SMS).</p>	
<p>500 NXX codes or 900 NXX codes to be activated and/or deactivated in conjunction with 500 SAC Access Service or 900 SAC Access Service, must be provided to the Telephone Company at least thirty (30) business days prior to the effective date of the change.</p>	
<p>An ASR is required by the Telephone Company for 500 NXX codes or 900 NXX codes to be activated or deactivated on an access facility level basis. The Switched Access Ordering Charge, as described in <i>V.E.2.a.(3)(g)</i> of ZiPLY Fiber Telephone Companies Tariff FCC No. 2, will apply. In addition to the Switched Access Ordering Charge, the NXX Translation Charge, as described in Section <i>V.E.2.h.(8)</i> of Northwest Fiber Companies d/b/a ZiPLY Fiber Tariff FCC No.2, shall apply to each 500 NXX code activated or deactivated in a Telephone Company switch capable of performing the customer identification function for 500 SAC Access Service. Customer assigned codes for which an ASR has not been received will be blocked.</p>	
<p>f. An ASR is required from the customer to request the unblocking of 0+900 calls. For an initial customer order at the tandem or end office level, the Telephone Company must receive the request to unblock 0+900 dialing capability at least sixty (60) business days prior to the requested effective date. To block or unblock 0+900 dialing capability for NXX codes assigned to a customer in an end office subtending a previously unblocked tandem, a request must be received at least thirty (30) business days prior to the requested effective date of the change.</p>	
<p>g. An ASR is required from the customer to add 1+ coin traffic from an end office. At the customer's option, the ASR can be issued at a 1+ coin tandem or end office level. For an initial customer order at a 1+ coin tandem, the Telephone Company must receive the request at least one hundred twenty (120) calendar days prior to the requested effective date. Standard provisioning intervals will apply to subsequent orders involving that 1+ coin tandem.</p>	
<p>The customer must provide the Telephone Company with written notification stating that an order is being submitted pursuant to an agreement with a secondary service provider prior to the routing of 1+ interLATA coin traffic to a provider other than the customer.</p>	

IV. ORDERING OPTIONS FOR CIA (Continued)

<p>h. When ordering FGD Switched Access with 950-XXXX Access as described in <i>V.B.5.t.</i>, the customer shall provide an ASR specifying which 950-XXXX access code(s) are to be routed and the FGD Switched Access Service over which resulting originating 950-XXXX access code calls are to be routed.</p>	
<p>2. <i>Provision of Other Services</i></p> <p>a. At the option of a customer, Additional Labor and Testing may be ordered with an ASR at the same time the ASR is accepted by the Telephone Company. Such requests will be considered to be supplemental to the ASR. The rates and charges for these services as set forth in other sections of this tariff will apply in addition to the ordering charges set forth in this section and the rates and charges for the Switched Access with which they are associated.</p>	
<p>b. The items listed in <i>a.</i> preceding may subsequently be added to the ASR at any time, up to and including the service date established by the ASR. When ordered subsequently, charges for ASR modifications as set forth in <i>IV.B.2.</i> will apply.</p>	
<p>3. <i>Special Construction</i></p> <p>The regulations, rates and charges for Special Construction are in Section <i>XI.</i> in addition to the regulations, rates and charges specified in this section.</p>	
<p>B. <u>Access Service Request.</u></p> <p>An ASR is used by the Telephone Company to receive orders for the following types of CIA requested by the customer:</p> <ul style="list-style-type: none"> - Switched Access as in Section <i>V.</i>, 	
<ul style="list-style-type: none"> - Other Services as in other sections of the tariff. 	
<p>1. <i>Service Date Intervals</i></p> <p>The time required to provision service is known as the service date interval. Such intervals will be established in accordance with published service date interval guidelines which are available to customers upon request. The service date interval guidelines will apply to ASRs and will specify the quantities of CIA that can be provided on the same service date. The customer may request a service date other than that established pursuant to the service date interval guidelines, and the Telephone Company, where possible, will establish the service date in accordance with such request, subject, however, to other applicable provisions of this tariff.</p>	

IV. ORDERING OPTIONS FOR CIA (Continued)

<p>2. <i>ASR Modifications</i></p> <p>The customer may request a modification of its ASR prior to the service date. The Telephone Company will make every effort to accommodate a requested modification when it is able to do so with the normal work force assigned to complete such an ASR within normal business hours. If the modification cannot be made with the normal work force during normal business hours, the Telephone Company will notify the customer. If the customer still desires the ASR modification, the Telephone Company will schedule a new service date. All charges for ASR modifications will apply on a per occurrence basis. Where a new ASR may be required the appropriate charges in other sections of this tariff will be applicable.</p>	
<p>Any increase in the number of Switched Access lines for FGA trunks or BHMCs for FGB, FGC, FGD, and SAC Access Service will require the issuance of a new ASR for the incremental capacity.</p>	
<p>a. Service Date Change Charge (USOC – SUM)</p> <p>ASR service dates may be changed, however a Service Date Change Charge will apply for each service date change after the scheduled issue date of the original ASR.</p>	
<p>For Switched Access, the new service date may not exceed the original service date by more than thirty (30) calendar days. If the requested service date is more than thirty (30) calendar days after the original service date, the ASR will be canceled by the Telephone Company and cancellation charges in <i>IV.B.6.</i> of Zply Fiber Telephone Companies Tariff FCC No. 2 will apply. The ASR will be reissued with the new service date.</p>	
<p>With the agreement of the Telephone Company, a new service date may be established that is prior to the original service date and the provisions in e. will apply in addition to the Service Date Change Charge.</p>	
<p>b. Partial Cancellation Charge</p> <p>Any decrease in the number of Switched Access lines for FGA trunks or BHMCs for FGB, FGC, FGD, and SAC Access Service; will be treated as a partial cancellation.</p>	
<p>When a customer partially cancels the service ordered on an ASR, charges will apply as follows:</p> <p>(1) When an ASR for Switched Access Service is partially canceled on or after the Scheduled Issue Date, the charge will be determined by multiplying the total Installation nonrecurring charges for the canceled portion of the order by the number of business days elapsed since the Scheduled Issue Date and dividing that figure by the number of days in the service interval and adding the Switched Access Ordering Charge.</p>	
<p>(2) When a customer cancels part of an ASR for which billing has commenced as provided in <i>IV.B.2.a.</i> and <i>IV.B.6.a.</i>, cancellation charges in <i>IV.B.6.c.(3)</i>, will apply to that part of the ASR being canceled</p>	

IV. ORDERING OPTIONS FOR CIA (Continued)

<p>c. Discontinuance of Service</p> <p>A customer may discontinue CIA that is in service at any time. The request for discontinuance of service must be received by the Telephone Company at least two (2) business days prior to the date on which service is to be disconnected and billing discontinued. The request may be verbal or written, however, a verbal request must be followed, within ten (10) days, by written confirmation. The written confirmation serves as a confirmation of the verbal request rather than a request itself. The customer must notify the Telephone Company of a delay or cancellation in the discontinuance request prior to the disconnect date. The Telephone Company, where possible, will establish the disconnect date in accordance with such request. Billing and service will then continue until the new requested disconnect date. If a service is discontinued prior to the expiration of the Minimum Period in <i>IV.B.4.</i>, the Minimum Period Charges in <i>IV.B.5.</i>, may apply.</p>	
<p>d. Design Change Charge (USOC – H28)</p> <p>The customer may request a design change to a pending ASR for both Switched and Special Access or request a change to an existing Switched Access Service. A design change is a change which requires engineering review. The regulations for a design change are in Section <i>V.E.2.a.(3)(i)</i>, for Switched Access Service, and are in addition to the regulations, rates and charges specified in this section.</p>	
<p>e. Requests for Expedition</p> <p>A customer may request an expedited service date. When this situation occurs, charges will be applicable as in <i>VII.B.</i> of ZiPLY Fiber Telephone Companies Tariff FCC No. 2. The Telephone Company will provide an estimate of the charges to the customer. The customer must accept the price estimate prior to the Telephone Company's performing the expedite. The actual charges billed to the customer will be no more than 10 percent over the estimate.</p>	
<p>3. <i>Selection of Facilities for Access Service</i></p> <p>(Reserved for Future Use)</p>	
<p>4. <i>Minimum Period</i></p> <p>a. The Minimum Period for Miscellaneous Services is in Section <i>VII.</i></p>	
<p>b. The Minimum Period for CIA provided under Special Construction provisions and for which charges are applicable in Section <i>IX.</i></p>	
<p>c. The Minimum Period for FGA, FGB, FGC, FGD and SAC Access Service is one month. For the application of the minimum period charges for Switched Access Service FGB, FGC, FGD and SAC Access Service, it is assumed the last identical capacity placed in service is the first one discontinued.</p>	

IV. ORDERING OPTIONS FOR CIA (Continued)

<p>5. <i>Minimum Period Charges</i></p> <p>When CIA are discontinued prior to the expiration of the Minimum Period, charges are applicable for the remaining month(s) and/or fraction thereof of the Minimum Period.</p> <p>The Minimum Period Charge will be determined as follows:</p> <p>a. For Switched Access usage sensitive rate elements, the charge for the minimum period, or fraction thereof, is equal to the applicable rates for the actual or assumed usage for the minimum period or such fraction thereof. For Switched Access flat-rated monthly elements (i.e., Entrance Facility, Direct-Trunked Transport and Multiplexing rates), the charge for the minimum period or fraction thereof is the applicable monthly rates for the service.</p>	
<p>b. (Reserved for Future Use)</p>	
<p>c. For FGA and FGB Type service where measurement equipment is not available and the Assumed Minutes of Use Monthly Surrogate is used, the charge will be the prorated amount on a daily basis, calculated at 1/30 of the applicable rate shown in Section V.F.9. of ZiPLY Fiber Telephone Companies Tariff FCC No. 2, for each day of the minimum period the facility was in service.</p>	
<p>6. <i>Cancellation of an ASR</i></p> <p>a. For Switched Access usage sensitive rate elements, the charge for the minimum period, or fraction thereof, is equal to the applicable rates for the actual or assumed usage for the minimum period or such fraction thereof. For Switched Access flat-rated monthly elements (i.e., Entrance Facility, Direct-Trunked Transport and Multiplexing rates), the charge for the minimum period or fraction thereof is the applicable monthly rates for the service.</p>	
<p>For Switched Access Tandem-Switched Transport or ASRs requesting additional trunk activations on existing Direct-Trunked Transport facilities, if a customer is unable to accept service within thirty (30) calendar days of the original service date, the ASR shall be considered canceled and charges in c. will apply. In such instances, the cancellation date shall be the thirty-first (31st) calendar day beyond the original service date of the ASR.</p>	
<p>For Switched Access Entrance Facilities and Direct-Trunked Transport, if a customer is unable to accept service within thirty (30) calendar days of the original service date, the customer has the choice of the following options:</p> <ul style="list-style-type: none"> - The ASR shall be canceled and charges in c. will apply, or 	
<ul style="list-style-type: none"> - Billing for the service will commence. 	
<p>In either case, the cancellation date or the billing date shall commence on the thirty-first (31st) calendar day beyond the original service date of the ASR.</p>	

IV. ORDERING OPTIONS FOR CIA (Continued)

<p>b. AST costs are considered to have started when the Telephone Company incurs any cost in connection therewith or in preparation thereof which would not otherwise have been incurred. These costs include but are not limited to preliminary engineering, orders to suppliers, and other similar items cost. For purposes of determining cancellation charges, the costs are considered to have started the day the Telephone Company is scheduled to issue the confirmed ASR to all associated work groups. For all ASRs this is known as the Scheduled Issue Date. The customer will be notified of the applicable critical date interval on the Firm Order Confirmation (FOC) Date. The cancellation charges will not apply until the customer is notified of such charges.</p>	
<p>c. When a customer cancels as ASR for the installation of new service, or an ASR to modify existing service, charges will apply as follows:</p> <p>(1) When an ASR for Switched Access Service is canceled on or after the Scheduled Issue Date, the Cancellation Charge is calculated, on a per ASR basis, by multiplying the total Installation nonrecurring charges for the quantity ordered by the number of business days elapsed since the Scheduled Issue Date, and dividing that figure by the number of days in the service interval (i.e., the number of business days between the Scheduled Issue Date and the last day of the service date interval) and adding the Switched Access Ordering Charge.</p>	
<p>(2) (Reserved for Future Use)</p>	
<p>(3) When a customer chooses to commence billing rather than cancel an ASR for these services specified in (1), the customer must submit an ASR prior to calendar day thirty-one (31) from the original service date and request a service date change. The new service date may not exceed the original service date by more than one hundred twenty (120) calendar days. Charges in <i>IV.B.2.a.</i> will only apply for each subsequent service date change request after calendar day thirty-one (31), not to exceed one hundred twenty (120) calendar days.</p>	
<p>When a customer elects to commence billing, monthly recurring charges will begin accruing at calendar day thirty-one (31) after the original service date. Upon completion of the ASR, the initial bill for the service will include these accrued charges and any additional nonrecurring charges in addition to billable charges specified in <i>III.D.1.c.</i></p>	
<p>If the ASR is not completed within one hundred twenty-one (121) calendar days of the original service date, the ASR will be canceled. Cancellation charges in <i>c.(1)</i> will apply. In addition, the customer will be billed the accrued monthly recurring charges specified above plus any additional nonrecurring charges applicable for the Service. These charges will be computed commencing at day thirty-one (31) after the original service date up to and including the cancellation date, not to exceed ninety (90) days of service (one hundred twenty (120) days from the original service date). The Telephone Company will not reissue an ASR with a new service date beyond one hundred twenty-one (121) calendar days. It will be the customer's responsibility to submit a new ASR.</p>	

IV. ORDERING OPTIONS FOR CIA (Continued)

<p>C. <u>Access Service Request</u></p> <p>1. Switched Services provided by more than one telephone company are services where one end of the Switched Transport facility is in the operating territory of one telephone company and the other end of the facility is in the operating territory of a different telephone company.</p>	
<p>The ordering procedure for this service is in <i>a.</i> and <i>b.</i> The telephone company will notify the customer, identifying which ordering procedures will apply.</p> <p>a. Single Company Billing</p> <p>The telephone company receiving the ASR from the customer will arrange to provide the service and bill the customer as in <i>III.G.2.</i> The customer will place the ASR with the telephone company as follows:</p> <p>For Switched Access Services the customer will place the ASR with the telephone company in whose territory the following is located:</p> <ul style="list-style-type: none"> - FGA - dial tone office 	
<p>When the preceding is not in the same telephone company's territory as the customer designated location (CDL), the customer must supply a copy of the ASR to the telephone company in whose territory the CDL is located</p>	
<p>b. Meet Point Billing</p> <p>Each telephone company will provide its portion of the Switched Transport service within its operating territory to the meet point with the other telephone company(s). The BP will be determined by the telephone companies involved in providing the CIA service and listed in the NECA Tariff FCC No. 4.</p>	
<p>For all Switched Access Services the order will be placed with the telephone company as specified in the Ordering and Billing Forum's Multiple Exchange Carrier Ordering and Design (MECOD) guidelines.</p>	
<p>2. When FGA is ordered in a Multicarrier Access Area, the customer must provide a copy of the order to the SEC. The SEC will bill as in <i>III.G.</i></p>	

V. SWITCHED ACCESS

<p>A. <u>General</u></p> <p>Switched Access provides two-point communications paths between the point of termination at a CDL and the points of termination at Telephone Company end user premises within the Access Area. Each path is established through the use of Switched Transport, (Entrance Facilities, Direct-Trunked Transport and/or Tandem Switched Transport) End Office Services, and Common Lines. Switched Access provides for the ability to originate calls from an end user's premises to the CDL and to terminate calls from the CDL to an end user's premises. Specific descriptions of Switched Access are in <i>V.B.</i>.</p>	
<p>Switched Access Feature Groups are ordered in quantities of trunks or in Busy Hour Minutes of Capacity (BHMC). FGB, FGD, and SAC (as defined in Section <i>III</i>) Access Service are furnished on a per-trunk basis in accordance with the capacity ordered in trunks or BHMC.</p>	
<p>Quantities of trunks or total BHMC of the circuit group connecting the first point of switching and the CDL are determined at the Telephone Company's first point of switching.</p>	
<p>A customer may designate one or more CDLs within the LATA for FGB, or FGD Switched Access or SAC Access Service.</p>	
<p>When Switched Access is ordered in BHMC, the BHMC must be differentiated by Feature Group type and directionality of traffic as in <i>V.C.2.</i> in order for the Telephone Company to properly design Switched Access to meet the traffic carrying capacity requirements of the customer.</p>	
<p>Switched Access is provided with basic testing as described in <i>V.B.1.b.(11)</i>, <i>d.(13)</i>, and <i>V.B.7.</i> Additional testing is provided as described in <i>VII.F.</i>. Testing is provided only on the CIA supplied by the Telephone Company.</p>	
<p>Switched Access may be ordered by the customer for mixed intrastate and interstate communications as in <i>V.C.2.</i> and <i>V.C.3.</i>.</p>	
<p>B. <u>Descriptions of Switched Access</u></p> <p>Feature Group B (FGB) and Feature Group D (FGD) are defined as trunk side connections to the Telephone Company's network. Feature Groups are arranged for either originating, terminating, or two-way calling, based on the end office switching capacity ordered. Originating calling permits the delivery of calls from Telephone Company exchange service locations to the customer's premises. Terminating calling permits the delivery of calls from the customer's premises to Telephone Company exchange service locations. Two-Way calling permits the delivery of calls in both directions, but not simultaneously.</p>	
<p>Switched Access will be provided as Feature Groups to Telephone Company end offices either directly routed or routed via an access tandem, except as set forth following:</p> <ul style="list-style-type: none"> - Feature Group trunk side equivalents (FGB and FGD) may not be provided for the same Carrier Identification Code (CIC) and/or Billing Account Number (BAN) at Telephone Company end offices which subtend the same tandem. When a Telephone Company end office subtends multiple tandems, Feature Group trunk side equivalents may not be provided for the same CIC and/or BAN at any Telephone Company end office which subtends either tandem. 	

V. SWITCHED ACCESS (Continued)

<p>1. <i>Descriptions of Feature Groups</i></p> <p>The Telephone Company, under the ordering provisions in Section IV., at rates and charges as specified in Section V.F. following, will provide Switched Access Feature Groups as follows:</p> <p>a. (Reserved for Future Use)</p>	
<p>b. Feature Group B (USOC – OHB)</p> <p>Feature Group B (FGB), which is available to all customers, provides trunk-side access to Telephone Company end office switches with an associated uniform 950-XXXX access code for originating and terminating communications for customer provided interstate communications capability or connection to an interexchange interstate service.</p> <p>(1) FGB, when provided without the use of a Telephone Company access tandem switch (in a directly routed arrangement), is provided at all Telephone Company appropriately equipped electronic end office switches. When provided via Telephone Company appropriately equipped electronic access tandem switches, FGB End Office Services are provided at all Telephone Company subtending end office switches in the terminating direction and at appropriately equipped end offices in the originating direction utilizing the end user access code of 950-XXXX. For those subtending end offices that are not appropriately equipped, access in the originating direction is available by the end user access code of 1+950-XXXX.</p>	
<p>FGB utilizes a two-point electrical communications path between the Interface Arrangement and Common Line as in V.B.1.b., which is a voice grade transmission path comprised of any form or configuration of plant capable of, and typically used in the telecommunications industry for, the transmission of the human voice and associated telephone signals within the frequency bandwidth of approximately 300 to 3000 Hz.</p>	
<p>(2) FGB is provided as trunk-side switching through the use of end office switch trunk equipment. The switch trunk equipment is provided with wink start pulsing and answer and disconnect supervisory signaling.</p>	
<p>(3) The Telephone Company will select the trunking arrangement from the end office, within the selected Access Area from which FGB is to be provided. If the customer orders an Automatic Number Identification (ANI) Arrangement or Rotary Dial Station Signaling, where available, special routing and trunking arrangements may be required.</p>	
<p>(4) FGB is arranged for either originating, terminating, or two-way calling based on the trunks or BHMC ordered. The Telephone Company will determine the type of directional calling to be provided unless the customer requests the option, Customer Specification of Switched Access Directionality as described in V.B.5.h. Originating calling permits the origination of calls from the end user to the CDL. Terminating calling permits the termination of calls from the CDL to the end user. Two-way calling permits either the origination or termination of calls, but not simultaneously.</p>	

V. SWITCHED ACCESS (Continued)

<p>(5) FGB, when being used in the terminating and originating direction, is provided with multi-frequency address signaling. At the option of the customer, up to 7 Digits Outpulsing of Access Digits to the customer will be provided in the originating direction by the Telephone Company equipment to the CDL where the FGB terminates. Except for FGB provided with the ANI arrangement or Rotary Dial Station Signaling as in <i>V.B.5.m.</i>, any other address signaling in the originating direction, if required by the customer, must be provided by the end user using inband tone signaling techniques. Such inband tone address signals will not be regenerated by the Telephone Company and will be subject to the ordinary transmission capabilities of the Switched Transport provided.</p>	
<p>(6) FGB, when being used in the terminating direction, may be used to access valid NXXs in the FGB Access Area. If the FGB connection is made directly to an end office the Access Area is that of that end office only. If the FGB connection is made to an access tandem the Access Area is that of all end offices subtending that access tandem. The description of any FGB Access Area will be provided to the customer upon request. Access is also available to information services (e.g., time and temperature) and IC services by dialing the appropriate digits and other services when those services can be reached using valid NXX codes. Premium End Office Switching - Bundled (ESOB) rates apply to all FGB usage originating or terminating at an equal access end office.</p>	
<p>(7) A separate trunk group will be established based on the directionality (i.e., originating only, terminating only, or two-way traffic) of the FGB arrangement provided.</p>	
<p>(8) The access code for FGB is a uniform access code in the form of 950-XXXX. For end offices not appropriately equipped an IC may instruct their end users to access the FGB by dialing 1+950-XXXX.</p>	
<p>(9) FGB may, at the option of the customer, be arranged to provide an ANI arrangement to obtain the calling station billing numbers. ANI is not available if the FGB connection is at an access tandem. The ANI arrangement provides seven digit calling station billing number information to the CDL. In those situations where no billing number is available in the end office switch, as with 4/8 party service, no seven digit number will be provided and an "operator identification" information digit will be provided.</p>	
<p>In those cases where an ANI failure has occurred in the end office switch, no seven digit number will be provided, and an "identification failure" information digit will be provided. ANI will be available using multifrequency signaling provided by the Telephone Company.</p>	
<p>Rotary Dial Station Signaling will be made available in certain end offices using dial repeating equipment provided by the Telephone Company. The customer must order Switched Transport arranged to pass the dial repeating signals. FGB is provided in directly routed arrangements where the ANI or Rotary Dial Station Signaling arrangements are provided.</p>	
<p>Only calls from end users terminated on the end office switch will be provided with the ANI or Rotary Dial Station Signaling arrangements.</p>	

V. SWITCHED ACCESS (Continued)

<p>(10) The Telephone Company will determine the end office ANI protocol for FGB. The Telephone Company makes no guarantee that ANI will be available at all end offices which have access to FGB.</p>	
<p>(11) FGB is provided with basic testing at no additional charge. Basic tests include: loss, 3 tone slope, (C-message and C-notched noise) and where applicable, dc continuity, signaling and balance testing.</p> <p>(a) Where Telephone Company equipment is available, a seven digit access number will be provided to the customer for testing in the terminating direction. These access numbers shall include: balance (100 type) test line, milliwatt (102 type) test line, data transmission (107 type) test line, loop around test line, short circuit test line and open circuit test line.</p>	
<p>(b) Where Telephone Company equipment is available and the customer is equipped with compatible remote office test lines, FGB will be provided with automatic testing (105 type or equivalent) in the originating direction.</p>	
<p>Additional testing charges apply as in <i>VII.F.</i> when: a.) the customer requests a test not specified in the preceding; b.) the test requested is not essential to the ongoing maintenance of FGB; or c.) the customer requests testing on a more frequent basis than scheduled in the Telephone Company's Central Office Maintenance Planning System (COMPS). The Telephone Company will routinely perform maintenance testing from its access tandem or end office (if direct routed) to the customer's first point of switching.</p>	
<p>c. (Reserved for Future Use)</p>	
<p>d. Feature Group D (USOC – OHD)</p> <p>Feature Group D (FGD), which is available to all customers, provides trunk-side access to Telephone Company end office switches with an associated 101XXXX access code for providers of MTS/WATS and MTS/WATS-type services for originating and terminating communications for customer provided interstate communications capability or connections to an interexchange interstate service.</p> <p>(1) FGD is provided at Telephone Company appropriately equipped electronic end office switches.</p>	
<p>FGD utilizes a two-point electrical communications path between the Interface Arrangement and Common Line or Special Access Line which is a voice grade transmission path comprised of any form or configuration of plant capable of, and typically used in the telecommunications industry for, the transmission of the human voice and associated telephone signals within the frequency bandwidth of approximately 300 to 3000 Hz.</p>	
<p>(2) FGD is provided as trunk-side switching through the use of end office or Telephone Company access tandem switch trunk equipment. The switch trunk equipment is provided with answer and disconnect supervisory signaling and wink start pulsing signals.</p>	

V. SWITCHED ACCESS (Continued)

<p>(3) The Telephone Company will select the trunking arrangement from the end office, within the selected Access Area from which FGD is to be provided. If the customer orders an Automatic Number Identification (ANI) Arrangement, Alternate Traffic Routing Arrangement, Service Class Routing Arrangement or Trunk Access Limitation Arrangement, special routing and trunking arrangements may be required.</p>	
<p>(4) FGD is arranged for either originating calling only, terminating calling only, or two-way calling and based on the trunks or BHMC ordered. The Telephone Company will determine the type of directional calling to be provided unless the customer orders an Operator Assistance Full Feature Arrangement or requests the option, Customer Specification of Switched Access Directionality as described in <i>V.B.5.h</i>. For such arrangements, additional charges on an Individual Case Basis will apply if the trunking arrangements are different from that the Telephone Company would have provided without such special arrangements. Originating calling permits the origination of calls from the end user to the CDL. Terminating calling permits the termination of calls from the CDL. Two-way calling permits either the origination or termination of calls, but not simultaneously.</p>	
<p>(5) FGD is provided with multifrequency address signaling. Up to twelve digits of the called party number dialed by the end user will be provided by Telephone Company equipment to the CDL where the FGD terminates. Such address signals will be subject to the ordinary transmission capabilities of the Switched Transport provided.</p>	
<p>(6) FGD, when being used in the terminating direction, may be used to access valid NXXs in the FGD Access Area. If the FGD connection is made directly to an end office the Access Area is that of that end office only. If the FGD connection is made to a Telephone Company access tandem, the Access Area is all end offices subtending that access tandem that have FGD capabilities. When the customer wants access to all end offices subtending that access tandem (both equal access and non-equal access) a single FGD trunk group may be used. Separate trunk groups for the combined use of FGD and FGB are not required. The description of any FGD Access Area will be provided to the customer upon request. FGD may also be used in the terminating direction to access information services (e.g., time and temperature) and other services by dialing the appropriate codes when the services can be reached using valid NXX codes.</p>	
<p>(7) A separate trunk group will be established based on directionality (i.e., originating only, terminating only, or two-way traffic) of the FGD arrangement provided.</p>	

V. SWITCHED ACCESS (Continued)

<p>(8) The access code for FGD is a uniform access code of the form 101XXXX. No access code is required if the end user's Telephone Company local service is arranged for Primary Interexchange Carrier (PIC) arrangement as in <i>VII.E.</i> of ZiPLY Fiber Telephone Companies Tariff FCC No. 2, to the same customer. The number dialed by the end user shall be a seven (7) or ten (10) digit number for calls in the North American Numbering Plan (NANP). For international calls outside the NANP, a five to twelve digit number may be dialed. The form of the numbers dialed by the end users is NXX-XXXX, 0 or 1 + NXX-XXXX, NPA + NXX-XXXX, 0 or 1 + NPA + NXX-XXXX, and, when the International Direct Distance Dialing Arrangement (IDDD) is provided, 01 + CC + NN or 011 + CC + NN. When the 101XXXX access code is used, FGD also provides for dialing the digit zero (0) for access to the customer's operator, or the end-of-dialing digit (#) for cut-through access to the CDL. FGD also provides for the dialing of digits zero, zero (00) for access on a non-DDD basis to the customer's operator when the end user's service is designated to the customer as in <i>V.B.5.v.</i>. A single access code will be the assigned number for all FGD provided to the customer by the Telephone Company.</p>	
<p>In addition to the standard 101XXXX access code, the customer has the option to use 950-XXXX as an access code for FGD Switched Access Service. When the customer orders FGD Switched Access Service with 950-XXXX Access as described in <i>V.B.5.t.</i>, FGD switched access calls may also be originated by using the customer's 950-XXXX access code(s). All such calls will be rated as FGD switched access calls.</p>	
<p>FGD, provided with multi-frequency address signaling is arranged to receive address signaling through the use of Dual Tone Multi-frequency (DTMF) or dial pulse address signaling from the end user.</p>	
<p>(9) FGD may, at the option of the customer, be arranged to provide ANI arrangement to obtain the calling station billing number. The ANI arrangement provides ten (10) digit station billing number information to the CDL. In those situations where no billing number is available in the end office switch, as with 4/8 party service, no ten (10) digit number will be provided, only the area code and an "operator identification" information digit will be provided.</p>	
<p>In those cases where an ANI failure has occurred in the end office switch, no ten (10) digit number will be provided, and an "identification failure" information digit will be provided. ANI will be made available using multi-frequency signaling provided by the Telephone Company.</p>	
<p>Dependent upon the group type, the ANI spill may be forwarded prior to the called number in appropriately equipped end offices. When the ANI spill is sent prior to the called number, ten (10) digits will be forwarded (NPA + NXX-XXXX). When the ANI spill is sent after the called number, the conventional seven (7) digits will be forwarded. The Telephone Company will determine the sequencing and protocol of the ANI spill and called number.</p>	

V. SWITCHED ACCESS (Continued)

<p>(10) FGD may, at the option of the customer, be arranged for the International Direct Distance Dialing (IDDD) Arrangement in the originating direction. End offices or Telephone Company access tandem switches which are equipped for IDDD will be designated by the Telephone Company. The CDL must be equipped to receive the IDDD supervisory and address signals and the CDL must provide operator assistance to the end users if necessary to obtain the IDDD address signals once the CDL acknowledges it is ready to receive IDDD address signals.</p>	
<p>FGD may also be arranged to forward the international calls of one (1) or more international carriers to the customer. This arrangement requires verification by the Telephone Company that the customer is authorized to forward such calls.</p>	
<p>(11) (Reserved for Future Use)</p>	
<p>(12) (Reserved for Future Use)</p>	
<p>(13) FGD is provided with basic testing at no additional charge. Basic tests include: loss, 3 tone slope, (C-message and C-notched), and where applicable, signaling and balance testing.</p> <p>(a) Where Telephone Company equipment is available, a seven (7) digit access number will be provided to the customer for testing in the terminating direction. These access numbers shall include: balance (100 type) test line, milliwatt (102 type) test line, nonsynchronous or synchronous test line, automatic transmission measuring (105 type) test line, data transmission (107 type) test line, loop around test line, short circuit test line and open circuit test line. Access to test lines by other than seven digits is at the option of the Telephone Company and may vary in availability.</p>	
<p>(b) Where Telephone Company equipment is available and the customer is equipped with compatible equipment (remote office test lines and 105 test lines with associated responders or their functional equivalent), FGD will be provided with automatic testing.</p>	
<p>(c) At the option of the Telephone Company, cooperative testing may be provided in lieu of automatic testing. Cooperative testing is where the Telephone Company provides a technician at its office(s) and the customer provides a technician at its CDL, with suitable test equipment to perform the required tests. The Telephone Company will routinely perform maintenance testing from its access tandem or end office (if direct routed) to the customer's first point of switching. Additional testing charges will apply as in VII.F. when: a.) the customer requests a test not specified in the preceding; b.) the test requested is not essential to the ongoing maintenance of FGD; or c.) the customer requests testing on a more frequent basis than scheduled in the Telephone Company's Central Office Maintenance Planning System (COMPS).</p>	
<p>(d) (Reserved for Future Use)</p>	

V. SWITCHED ACCESS (Continued)

<p>(14) FGD may, at the option of the customer, be provided with Alternate Traffic Routing. This arrangement, as shown in V.B.5.a., delivers originating traffic from an end office over a designated trunk group to the CDL. When that trunk group is fully loaded, additional originating traffic is automatically delivered over one or more designated trunk groups to one or more CDLs.</p>	
<p>(15) FGD may, at the option of the customer, be provided with a Service Class Routing Arrangement. This arrangement allows originating traffic to be delivered over selected trunk groups to specified CDLs based on service prefix code (e.g., 0-, 0+, 1+, 01, 011); service class codes (e.g., 500, 700, 800, 866, 877, 888, 900); or end user originating line class of service (e.g., coin, multiparty, hotel/motel). Service classes of traffic unable to be served by a customer will be handled at the option of the Telephone Company.</p>	
<p>(16) (Reserved for Future Use)</p>	
<p>(17) FGD will be arranged to accept calls from Telephone Company local service without the 101XXXX uniform access code. Each Telephone Company local service will be marked to identify which 101XXXX code its calls will be directed to for InterLATA Area service.</p>	
<p>(18) FGD may, at the option of the customer, be provided with a Trunk Access Limitation Arrangement. The Trunk Access Limitation Arrangement provides for the routing of designated (e.g., 900 Service class code) originating calls to a specified number of transmission paths in a trunk group.</p>	
<p>(19) (Reserved for Future Use)</p>	
<p>(20) FGD is provided with either Type A, Type B, or Type C transmission performance as follows: a) when routed directly to the end office, either Type B or Type C is provided; b) when routed to a Telephone Company access tandem, only Type A is provided; c) Type A is provided on the transmission path from the Telephone Company access tandem to the end office. Type C transmission performance is provided with Interface Arrangement 1. Type A and Type B are provided with Interface Arrangements 2 through 10. In addition, Data Transmission Parameters may, at the option of the customer, be provided with FGD.</p>	
<p>(21) FGD trunking arrangements are available with two basic forms of signaling protocol. The standard signaling protocol provided with FGD is Overlap Outpulsing. At the option of the customer, where technically available FGD may be provided with Non-Overlap Outpulsing signaling protocol.</p>	

V. SWITCHED ACCESS (Continued)

<p>e. SAC Access Service</p> <p>Service Access Code (SAC) Access Service is an originating service that is provided via SAC Access Service switched trunk groups, or may be provided in conjunction with FGD. When a 1+500-NXX-XXXX or 0+500-NXX-XXXX call is originated by an end user for 500 SAC Access Service, the 500 Customer Identification Function, as described in <i>V.B.20.</i>, determines the customer to which the call is to be routed based on the 500 NXX code dialed. When a 1+800-NXX-XXXX, 1+866-NXX-XXXX, 1+877-NXX-XXXX or 1+888-NXX-XXXX call is originated by an end user for 800/866/877/888 SAC Access Service, the 800/866/877/888 Customer Identification Function as described in <i>V.B.11.</i> determines the customer to which the 800, 866, 877 or 888 call is routed. When a 1+900-NXX-XXXX call is originated by an end user for 900 SAC Access Service, the 900 Customer Identification Function, as described in <i>V.B.12.</i>, determines the customer to which the call is to be routed based on the 900 NXX code dialed.</p> <p>(1) Service Access Code (SAC) Access Service is provided at Telephone Company appropriately equipped end offices or tandem switches.</p>	
<p>(2) Originating SAC Access Service is a trunk side switched service that is available to the customer via SAC Access Service trunk groups. The appropriate Customer Identification Function, in <i>V.B.11.</i>, <i>V.B.12.</i> and <i>V.B.20.</i>, must be ordered in conjunction with each SAC Access Service trunk group. SAC Access Service traffic at the option of the customer can be carried on the same group with non-SAC Access traffic.</p>	
<p>(3) When a 1+N00-NXX-XXXX or 1+500-NXX-XXXX call is originated by an End User, the Telephone Company will perform the selected Customer Identification Function based upon the dialed digits to determine the disposition of the call. If the call originates from an end office not equipped to provide the Customer Identification Function, the call will be routed to an office where the function is available. Once the Customer Identification Function has been performed, the call will be routed to the customer.</p>	
<p>(4) When SAC Access Service is provided from an end office equipped with equal access capabilities, all such service will be provisioned in accordance with the technical characteristics available with FGD except when more than one Telephone Company access tandem is employed in the transport of a SAC Access Service call.</p>	
<p>In any case, when more than one Telephone Company access tandem is employed in the transport of a SAC Access Service call, Standard Transmission characteristics are not guaranteed.</p>	
<p>(5) (Reserved for Future Use)</p>	

V. SWITCHED ACCESS (Continued)

<p>(6) 500 SAC Access Services originating from equal access end offices with the 500 Customer Identification Function, described in <i>V.B.20.</i>, may be provided using exchange access signaling with overlap outpulsing and ten digit ANI. 900 SAC Access Service originating from equal access end offices with the 900 Customer Identification Function, described in <i>V.B.12.</i>, may be provided using exchange access signaling with overlap outpulsing and ten digit ANI. 800/866/877/888 SAC Access Service originating from equal access end offices with the 800/866/877/888 Customer Identification Function described in <i>V.B.11.</i> may be provided using exchange access signaling without overlap outpulsing and with ten digit ANI. SAC Access Service originating from equal access end offices without the Customer Identification Function capabilities, or from end offices not having equal access capability, may be provided using conventional signaling. On traffic using conventional signaling, the customer's facilities shall provide off hook supervision upon receipt of the transmitted digits.</p>	
<p>(7) For SAC Access Service traffic originating from equal access end offices with the Customer Identification Function capabilities, FGD parameters as specified in <i>V.B.1.d.</i> apply.</p>	
<p>The Entrance Facility interface at the customer's premises, as set forth in <i>V.B.2.b.</i> for FGD also apply to SAC Access Service.</p>	
<p>(8) The Federal Communications Commission (FCC) has concluded that warehousing, which the FCC defines as Responsible Organizations, either directly or indirectly through an affiliate reserving toll free numbers from the SMS database without having an identified toll free subscriber from whom those numbers are being reserved, is an unreasonable practice under Section 201(b) of the Communications Act and is inconsistent with the Commission's obligation under Section 251(e) of the Communications Act to ensure that numbers are made available on an equitable basis; and if a Responsible Organization does not have an identified, billed toll free subscriber before switching a number from reserved or assigned to working status, then there is a rebuttable presumption that the Responsible Organization is warehousing numbers. Responsible Organizations that warehouse numbers will be subject to penalties.</p>	
<p>(9) The Federal Communications Commission (FCC) has concluded that hoarding, defined as the acquisition of more toll free numbers than one intends to use for the provision of toll free service, as well as the sale of a toll free number by a private entity for a fee, is contrary to the public interest in the conservation of the scarce toll free number resource and contrary to the FCC's responsibility to promote the orderly use and allocation of toll free numbers.</p>	
<p>2. <i>(Reserved for Future Use)</i></p>	

V. SWITCHED ACCESS (Continued)

<p>3. <i>Description of Switched Transport</i></p> <p>a. General</p> <p>(1) Switched Transport provides the transmission of Switched Access communications including SAC Access Service, between the CDL and the originating or terminating end office switch(es) in the Access Area with one exception. Switched Transport is comprised of the following rate elements; Entrance Facility Rates, Direct-Trunked Transport Rate, Dedicated Trunk Port Rates, and Tandem-Switched Transport Rates.</p>	
<p>The Entrance Facility Rates are assessed upon customers for the use of Telephone Company Voiceband, DS1 and DS3 high capacity facilities, including interface arrangements, between the point of termination at the Customer Designated Location (CDL) and the Telephone Company's serving wire center. Entrance Facilities are further described in <i>V.B.3.b.</i></p>	
<p>The Direct-Trunked Transport Rates are assessed upon customers for the use of Voiceband, DS1 and DS3 high capacity transport facilities dedicated to a single customer between a serving wire center and end office (including host end offices), end offices used to provide Tandem Switch Signaling, between a serving wire center and a Telephone Company Hub for multiplexing purposes, between two (2) Telephone Company hubs, between a serving wire center and a Directory Assistance Center, between a Telephone Company Hub and an end office and between a serving wire center and a Telephone Company access tandem. The Direct-Trunked Transport Rates are flat-rated and have both distance-sensitive and non-distance-sensitive components. Direct-Trunked Transport is further described in <i>V.B.3.c.</i></p>	
<p>A Dedicated Trunk Port is applicable to the purchase of dedicated trunks terminated by that port. The Dedicated Trunk Port provides for the termination of a dedicated trunk at the end office or access tandem. The Dedicated Trunk Port is a flat rated charge assessed on a per trunk basis. The rate is determined based on whether the trunk is voicegrade or DS1.</p>	
<p>The Tandem-Switched Transport Rates are assessed upon customers for the use of transport between an end office and an Access Tandem for traffic that is routed to/from and switched at a Telephone Company access tandem. The Tandem-Switched Transport Rate may also be assessed for transport between a host end office and a remote end office. Tandem-Switched Transport consists of circuits used in common by multiple customers from the Telephone Company access tandem to an end office. The Tandem-Switched Transport Rate includes four subelements, a Tandem-Switched Transport - Facility, a Tandem-Switched Transport - Termination, a Tandem Switching and Shared Multiplexing rate. The Tandem Switching Rate is not applicable for transport between a host end office and a remote end office. For Tandem-Switched Transport, a Shared Multiplexing rate will be assessed on all access minutes that traverse a common trunk group from the Telephone Company access tandem to an end office. Tandem-Switched Transport is further described in <i>V.B.3.d.</i></p>	

V. SWITCHED ACCESS (Continued)

	<p>The Shared Trunk Port provides for the termination of a Tandem-Switched Trunk at an end office. The Shared Trunk Port is usage rated and shall be assessed to all access minutes which utilize Tandem-Switched Transport and on minutes of use provided at a remote office.</p>	
	<p>The Shared Trunk Port charge does not apply to switched access minutes of use that originate or terminate at MTSOs directly interconnected to a Telephone Company access tandem.</p>	
	<p>When the Tandem-Switched Transport is provided by more than one telephone company, the Shared Trunk port charge shall be billed by the Telephone Company in whose territory the end office is located, as in <i>III.G.3.g.</i></p>	
	<p>The application of the Switched Transport rates and the determination of mileage measurements for Switched Transport is in <i>V.E.2.h.(2)</i>.</p>	
	<p>(2) Switched Transport facilities provide two-way voice frequency transmission paths which permits the transport of calls in the originating direction (from the end office switch to the CDL), and in the terminating direction (from the CDL to the end office switch), but not simultaneously. The voice frequency transmission path may be comprised of any form or configuration of plant capable of and typically used in the telecommunications industry for the transmission of the human voice and associated telephone signals within the frequency bandwidth of approximately 300 to 3000 Hz. Direct-Trunked Transport and Entrance Facilities are composed of facilities as ordered by the customer.</p>	
	<p>Switched Transport facilities will be engineered and routed based on standard engineering methods, available facilities and equipment, Telephone Company traffic routing plans and the customer's order for service.</p>	
	<p>The Telephone Company will work cooperatively with the customer in determining 1.) service to be routed directly to an end office switch or via a Telephone Company access tandem and 2.) the directionality of the service.</p>	
	<p>(3) For Tandem-Switched Transport the number of Switched Transport transmission paths provided between an end office switch and a Telephone Company access tandem are determined by the Telephone Company using standard traffic engineering methods. The number of Switched Transport transmission paths provided between the Telephone Company access tandem and serving wire center of the CDL is determined by the customer's order. If ordered in BHMC, the Telephone Company will determine the number of trunks, using standard traffic engineering methods. When Direct-Trunked Transport is ordered directly to a Telephone Company access tandem, facilities between the serving wire center of the CDL and the Telephone Company access tandem will be determined by the customer's order.</p>	
	<p>b. Entrance Facility</p> <p>The Entrance Facility provides the transmission path and the interface between the Telephone Company's serving wire center and customer provided facilities at the point of termination at the CDL.</p>	

V. SWITCHED ACCESS (Continued)

<p>Switched Access is provided in a number of separate Entrance Facilities. Each Entrance Facility provides a specified facility interface (e.g., two-wire, four-wire, DS1, etc.). Provision of the Interface Arrangements for two-wire and four-wire voice frequency Entrance Facility and any Optional Arrangements may require placement of Telephone Company equipment [e.g., supervisory signaling equipment as described in <i>V.B.3.g.</i> on the customer's premises.</p>	
<p>Where transmission facilities permit, the individual transmission paths between the point of termination and the first point of switching may, at the option of the customer, be provided with Optional Arrangements as in <i>g.</i>.</p>	
<p>The following Standard Entrance Facilities are available:</p> <p>Two-Wire VF Four-Wire VF DS1 Digital DS3 Digital</p>	
<p>The number of Entrance Facilities provided is determined by the customer's order for service.</p>	
<p>(1) Two-Wire Voice Frequency Entrance Facility</p> <p>(a) The Two-Wire Voice Frequency Entrance Facility, except as in (b), provides two-wire voice frequency transmission at the point of termination at the CDL. The interface is capable of transmission signals within the frequency bandwidth of approximately 300 to 3000 Hz.</p>	
<p>(b) The Two-Wire interface is not provided in association with FGD when the first point of switching is a Telephone Company access tandem. In addition, the two-wire interface is not provided in association with FGB when the first point of switching is a Telephone Company access tandem where two-wire terminations are not provided.</p>	
<p>(c) The transmission path between the point of termination at the CDL and the serving wire center may be comprised of any form or configuration of plant capable of and typically used in the telecommunications industry for the transmission of the human voice and associated telephone signals within the frequency bandwidth of 300 to 3000 Hz.</p>	
<p>(d) The Two-Wire interface is provided with loop supervisory signaling. When the interface is associated with FGB and FGD such signaling, except for two-way calling, may be reverse battery signaling. The interface may, at the option of the customer, be provided with DX supervisory signaling or E&M supervisory signaling as in <i>V.B.3.g.(1)</i>.</p>	

V. SWITCHED ACCESS (Continued)

<p>(2) Four-Wire Voice Frequency Entrance Facilities</p> <p>(a) The Four-Wire Voice Frequency Entrance Facility provides four-wire voice frequency transmission at the point of termination at the CDL. The interface is capable of transmission of the human voice and associated telephone signals within the frequency bandwidth of approximately 300 to 3000 Hz.</p>	
<p>(b) The transmission path between the point of termination at the CDL and the serving wire center may be comprised of any form or configuration of plant capable of and typically used in the telecommunications industry for the transmission of the human voice and associated telephone signals within the frequency bandwidth of 300 to 3000 Hz.</p>	
<p>(c) The interface is provided with loop supervisory signaling. When the interface is associated with FGB and FGD such signaling, except for two-way calling, may be reverse battery signaling. The interface may, at the option of the customer, be provided with supervisory signaling as in <i>V.B.3.g.(1)</i>.</p>	
<p>(3) (Reserved for Future Use)</p>	
<p>(4) (Reserved for Future Use)</p>	
<p>(5) (Reserved for Future Use)</p>	
<p>(6) DS1 Digital Entrance Facility</p> <p>(a) The DS1 Digital Entrance Facility provides DS1 level digital transmission at the point of termination at the CDL. The interface is capable of transmitting electrical signals at 1.544 Mbps, with the capability to multiplex up to twenty-four (24) voice frequency transmission paths.</p>	
<p>Between the first point of switching and the point of termination at the CDL, when analog switching utilizing analog terminations is provided, the Telephone Company may, at its option, provide multiplex equipment to derive twenty-four (24) transmission paths of frequency bandwidth of approximately 300 to 3000 Hz. When digital switching or analog switching with digital carrier terminations is provided, the Telephone Company will provide, at the customer's request, at the first point of switching, DS1 signals in D4 or D3 format.</p>	
<p>(b) The interface is provided with individual transmission path bit stream supervisory signaling.</p>	
<p>(7) (Reserved for Future Use)</p>	
<p>(8) (Reserved for Future Use)</p>	

V. SWITCHED ACCESS (Continued)

<p>(9) DS1 Digital Entrance Facility</p> <p>(a) The DS3 Digital Entrance Facility provides, on a protected basis, a DS3 level digital transmission at the point of termination at the CDL. The interface is capable of transmitting electrical signals at 44.736 Mbps, with the capability to multiplex up to six hundred seventy-two (672) voice frequency transmission paths.</p>	
<p>Between the first point of switching and the point of termination at the CDL, when analog switching utilizing analog terminations is provided, the Telephone Company may, at its option, provide multiplex equipment to derive up to six hundred seventy-two (672) voice frequency transmission paths of frequency bandwidth of approximately 300 to 3000 Hz. When digital switching or analog switching with digital carrier terminations is provided, the Telephone Company will provide, at the customer's request, at the first point of switching, DS1 signals in D4 or D3 format.</p>	
<p>(b) The interface is provided with individual transmission path bit stream supervisory signaling.</p>	
<p>(c) To insure compatibility of transmission, the utilization of the same manufacturer's equipment (end-to-end) may be required. The Telephone Company reserves the right to choose this equipment.</p>	
<p>(d) The customer may specify either an electrical or optical interface when ordering DS3 entrance facilities.</p>	
<p>c. Direct-Trunked Transport</p> <p>The Direct-Trunked Transport rates are assessed upon customers for the use of Voiceband, DS1 or DS3 High Capacity transport dedicated to a customer from a serving wire center to an end office (including host end offices) or from a serving wire center to a Telephone Company access tandem. Direct Trunked Transport also provides for the transmission facilities between:</p> <ul style="list-style-type: none"> - a serving wire center or end office and a Telephone Company Hub office other than the serving wire center where multiplexing is performed; 	
<ul style="list-style-type: none"> - a serving wire center or access tandem and a Telephone Company Hub office other than the serving wire center where multiplexing is performed; 	
<p>The Direct-Trunked Transport Rates are flat-rated and have both distance-sensitive and nondistance-sensitive components. The distance-sensitive mileage recovers costs of the transmission facilities, including intermediate transmission circuit equipment, between the end points of the circuit. There are two (2) non-distance sensitive components; the termination which recovers costs of circuit equipment at the ends of the transmission links, and the trunk port component which recovers costs of the trunk ports. A Dedicated Trunk Port charge shall be assessed on a per voicegrade or DS1 channel terminating at an end office or access tandem. Direct-Trunked Transport is not provided at Telephone Company end offices that are not capable of measuring switched access minutes of use. These end offices are specified in NECA Tariff FCC No. 4.</p>	

V. SWITCHED ACCESS (Continued)

<p>d. Tandem-Switched Transport</p> <p>The Tandem-Switched Transport Rates are assessed upon customers for the use of transport from a serving wire center to an end office that is switched at a Telephone Company access tandem. The Tandem-Switched Transport rates shall also be assessed for transport between a Telephone Company access tandem and end office and between a host end office and a remote end. Tandem-Switched Transport consists of circuits used in common by multiple customers from the Telephone Company access tandem to an end office. The Tandem-Switched Transport Rates include four subelements, a Tandem-Switched Transport - Facility, a Tandem-Switched Transport - Termination, Tandem Switching Rate and Shared Multiplexing. The Tandem-Switched Transport - Facility is usage rated and distance-sensitive, i.e., a per access minute per airline mile rate. The rate recovers costs of the transmission facilities, including intermediate transmission circuit equipment, between the end points of the circuit. The Tandem-Switched Transport - Termination is a usage rated, per minute rate to recover costs incurred at the ends of the transmissions links. The Tandem Switching Rate is a usage rated, per minute rate to recover a portion of the tandem switching costs. The Tandem Switching Rate is not applicable for transport between a host end office and a remote end office. For Tandem Switched Transport, a Shared Multiplexing Rate will be assessed to all minutes of use from the Telephone Company Access Tandem to an end office. The Shared Multiplexing rate recovers multiplexing costs on the end office side of the tandem.</p>	
<p>e. (Reserved for Future Use)</p>	
<p>f. Multiplexing</p> <p>Multiplexing provides for arrangements to convert a single higher capacity or bandwidth circuit for bulk transport to several lower capacity or bandwidth circuits. Monthly rates and nonrecurring charges for multiplexing apply as follows: a.) the DS3/DS1 Multiplexing Charge applies to all DS3 to DS1 multiplexing arrangements; and b.) the DS1/Voice Multiplexing Charge applies to all DS1 Entrance Facility and Direct-Trunked Transport circuits that terminate in an analog office and where the multiplexer performs DS1/Voice multiplexing functions.</p>	
<p>Listed below are the multiplexing arrangements offered with switched access.</p> <ul style="list-style-type: none"> - <u>DS1 to Voice</u> <p>An arrangement that multiplexes twenty-four (24) voice grade circuits to a single DS1 digital circuit at a rate of 1.544 Mbps, or multiplexes a single DS1 digital circuit at a rate of 1.544 Mbps to twenty-four (24) voice grade circuits.</p>	
<ul style="list-style-type: none"> - <u>DS3 to DS1</u> <p>An arrangement that multiplexes twenty-eight (28) DS1 digital circuits to a single DS3 digital circuit at rate of 44.736 Mbps, or multiplexes a single DS3 digital circuit at a rate of 44.736 Mbps to twenty-eight (28) DS1 digital circuits</p>	

V. SWITCHED ACCESS (Continued)

<p>g. Optional Arrangements</p> <p>(1) The Telephone Company will provide Optional Arrangements in association with the Entrance Facilities listed in <i>V.B.3.b.(1)</i> and <i>(2)</i>. The provision of such Optional Arrangements may require placement of Telephone Company equipment on the customer's premises. These Optional Arrangements are nonchargeable.</p>	
<p><u>Supervisory Signaling</u></p> <p>A supervisory signaling capability is provided for each Interface Arrangement as listed in <i>V.B.3.b.(1)</i> and <i>(2)</i>. Where the transmission parameters permit and where signaling conversion is required by the customer to meet his signaling capability, the customer may order a supervisory signaling arrangement for each transmission path provided as follows:</p> <p>For Interface Arrangements (1) and (2)</p> <p style="padding-left: 40px;">DX Supervisory Signaling arrangement, or E&M Type I Supervisory Signaling arrangement, or E&M Type II Supervisory Signaling arrangement.</p>	
<p>For Interface Arrangement (2)</p> <p style="padding-left: 40px;">SF Supervisory Signaling arrangement, or E&M Type III Supervisory Signaling arrangement.</p>	
<p>4. Description of End Office Services</p> <p>End Office Services provide the end user termination functions and end office switching necessary to complete the transmission of Switched Access communications to and from the end users served by the end office. Standard Arrangements for End Office Services include the End Office Switching Rate Element. End Office Services Optional Arrangements are available as defined in <i>V.B.5.</i></p>	
<p>End Office Services are provided in association with Switched Transport when ordered as in Section <i>IV.</i> End Office Services will be provided as one of the following types: FGB, FGD and SAC Access Service.</p>	
<p>The number of End Office Service transmission paths and line terminations provided will be determined by the Telephone Company based on standard traffic engineering methods.</p>	
<p>End Office Switching provides the following:</p> <ul style="list-style-type: none"> - The facilities to terminate end user Common Lines in end office switches. 	
<ul style="list-style-type: none"> - The end office switching functions necessary to complete a Switched Access Communication to or from end user Common Lines served by the end office. 	

V. SWITCHED ACCESS (Continued)

<p>- The termination of a call at a Telephone Company intercept operator or recording. The operator or recording tells a caller why a call, as dialed, could not be completed, and if possible, provides the correct number.</p>	
<p>Application of the charges is in <i>V.E.2.h.(5)</i> of this tariff and the rates are as shown in <i>V.F.3.</i></p>	
<p>End Office Switching is not provided in conjunction with switched access minutes of use that originate or terminate at a Mobile Telephone Switching Office (MTSO) directly interconnected to a Telephone Company access tandem office.</p>	
<p>5. End Office Services Optional Arrangements</p> <p>The following optional arrangements are available in offices where equipment, facilities, and other conditions permit. The Telephone Company makes no guarantee that these optional arrangements will be available in all locations.</p>	
<p>Unless otherwise noted, these End Office Services Optional Arrangements are nonchargeable.</p> <p>a. Alternate Traffic Routing</p> <p>This option provides the capability of directing originating traffic from an end office (or appropriately equipped Telephone Company access tandem) via a trunk group (the "high usage" group) to a CDL until that group is fully loaded, and then delivering additional originating traffic (the "overflowing" traffic) from the same end office or Telephone Company access tandem to a different trunk group or groups (via one or more intermediate high usage groups) to one or more CDLs until the originating traffic is directed to a final group. The customer shall specify the last trunk CCS desired for the high usage group and each intermediate group.</p>	
<p>When a FGD, 500 SAC, or 900 SAC customer subscribes to Tandem Switch Signaling and Alternate Traffic Routing the customer may have a maximum of one (1) route to which the traffic can overflow.</p>	
<p>This option is provided in suitably equipped end offices or Telephone Company access tandems and is available with FGB and FGD.</p>	
<p>b. Automatic Number Identification (ANI) Arrangement</p> <p>This option provides the automatic transmission of a seven (7) or ten (10) digit number and information digit to the CDL for calls originating in the Access Area to identify the calling station. The ANI arrangement will be associated with all individual transmission paths in a trunk group when this arrangement is provided.</p>	
<p>The ANI provided shall not be reused or resold without first notifying the originating telephone subscriber and obtaining affirmative consent of the subscriber for reuse or resale.</p>	

V. SWITCHED ACCESS (Continued)

<p>Unless the originating subscriber has given consent for the reuse or resale, any information provided shall not be used for any purpose other than:</p> <ul style="list-style-type: none"> - performing the services or transactions that are subject of the originating subscriber's call; 	
<ul style="list-style-type: none"> - ensuring network performance security, and the effectiveness of call delivery; 	
<ul style="list-style-type: none"> - compiling, using and disclosing aggregate information; and, 	
<ul style="list-style-type: none"> - complying with applicable laws. 	
<p>The above restrictions shall not prevent the subscriber to the ANI Arrangement from using information acquired from an ANI Arrangement, such as the telephone number or information derived from analysis of the characteristics of calls received through the ANI Arrangement, to offer a product or service that is directly related to the products or services previously purchased by a customer of the ANI Arrangement subscriber.</p>	
<p>The seven digit ANI telephone number is available with FGB. It will be transmitted on all calls except those identified as a multiparty line or ANI failure. The ten (10) digit ANI telephone number is only available with FGD. The ten (10) digit ANI telephone number consists of the Numbering Plan Area (NPA) plus the seven (7) digit ANI telephone number. The ten (10) digit ANI telephone number will be transmitted on all calls except those identified as a multiparty line or ANI failure in which case only the NPA will be transmitted (in addition to the information digit described below). The ANI telephone number is the listed telephone number of the end user that originates the call.</p>	
<p>Where ANI cannot be provided (e.g., on calls from two (2) (in some instances), four (4) and eight (8) party services) information digits will be provided to the customer. The information digits are used in the following situations:</p>	
<p>(1) Telephone number is the station billing number - no special treatment is required.</p>	
<p>(2) Multiparty line telephone number is a two (2) (in some instances), four (4), or eight (8) party line and cannot be identified - number must be obtained via an operator or in some other manner.</p>	
<p>(3) ANI failure has occurred in the end office switch which prevents identification of calling telephone number - number must be obtained by operator or in some other manner.</p>	
<p>(4) (Reserved for Future Use)</p>	
<p>(5) The configuration of the line requires special screening or handling by the customer, or</p>	
<p>(6) Call is an Automatic Identified Outward Dialed (AIOD) call from end user terminal equipment.</p>	
<p>These ANI information digits are available with FGB and FGD only. In addition, the following information digits are available with FGD only:</p>	

V. SWITCHED ACCESS (Continued)

- InterLATA Area restricted – telephone number is identified line.	
- InterLATA Area restricted - line requires special screening or handling by the customer.	
These information digits will be transmitted as agreed to by the customer and the Telephone Company.	
c. (Reserved for Future Use)	
d. (Reserved for Future Use)	
e. (Reserved for Future Use)	
f. (Reserved for Future Use)	
g. (Reserved for Future Use)	
h. Customer Specification of Switched Access Directionality This option allows the customer to specify the directionality of the trunk group (i.e., originating, terminating, or two-way) in lieu of Telephone Company specification. It is available with all Feature Groups and Basic Serving Arrangements. Rates and charges will be developed on an Individual Case Basis.	
i. International Direct Distance Dialing Arrangement This option allows for FGD end offices or Telephone Company access tandem(s) equipped for International Direct Distance Dialing to be arranged to route originating international calls to a customer other than the one designated by the end user either through presubscription or 101XXXX dialing. This arrangement requires provision of written verification to the Telephone Company that the customer is authorized to forward such calls. The written verification must be in the form of a letter of agency authorizing the customer to order the option on behalf of the international carrier. This option is only provided at Telephone Company end offices or access tandems equipped for International Direct Distance Dialing.	
j. (Reserved for Future Use)	
k. (Reserved for Future Use)	
l. (Reserved for Future Use)	
m. Rotary Dial Station Signaling This option provides for the transmission of called party address signaling from rotary dial stations to the CDL, for originating calls. It is available with FGB where conditions permit.	

V. SWITCHED ACCESS (Continued)

<p>n. Service Class Routing</p> <p>This option provides the capability of directing originating traffic from an end office to a CDL, based on the service prefix code (e.g., 0+ or 01+) or service class code (e.g., 500, 600, 700, 800, 866, 877, 888, or 900). It is provided in suitably equipped end office or Telephone Company access tandem and is available with FGD. Originating 500-NXX-XXXX calls are routed in accordance with the 500 Customer Identification Function as described in <i>V.B.20.</i> Originating 800-NXX-XXXX, 866-NXX-XXXX, 877-NXX-XXXX or 888-NXX-XXXX calls are routed in accordance with the 800/866/877/888 Customer Identification Function as described in <i>V.B.11.</i></p>	
<p>o. (Reserved for Future Use)</p>	
<p>p. Trunk Access Limitation</p> <p>This option, where available, provides for the routing of originating 900 or 900 like Service calls to a specified number of transmission paths in a trunk group, in order to limit (choke) the completion of such traffic to a customer. Calls to the designated service which could not be completed over the subset of transmission paths in the trunk group (i.e., the choked calls) would be routed to reorder tone. It is available with FGD.</p>	
<p>q. (Reserved for Future Use)</p>	
<p>r. Up to 7 Digit Outpulsing of Access Digits to the Customer</p> <p>This option provides for the end office capability of providing up to seven (7) digits of the access code to the CDL. The customer can request that only some of the digits in the access code be forwarded. The access code digits would be provided to the CDL using multifrequency signaling, and transmission of the digits would precede the forwarding of ANI if that arrangement was provided. It is available with FGB in suitably equipped end offices.</p>	
<p>s. Bank Advance Arrangement</p> <p>This arrangement is available for Special Access Lines used with a Switching Interface. This option, which is provided in association with two (2) or more groups, provides for the automatic overflow of terminating calls from a line group, that has exceeded its call capacity, to another line group with equal or a greater number of bands than that of the overflowing line group. This arrangement does not provide for call overflow from a group with a higher designation to one with a lower band designation.</p>	
<p>t. FGD Switched Access with 950-XXXX Access</p> <p>FGD Switched Access with 950-XXXX Access is an optional arrangement that provides for the routing of originating calls using a customer's 950-XXXX access code(s) to the customer over the customer's FGD trunks. All such calls will be rated as FGD switched access calls</p>	

V. SWITCHED ACCESS (Continued)

<p>This optional arrangement, available where technically feasible in equal access end offices, uses FGD signaling protocols and technical specifications. The 950-XXXX traffic can be routed over FGD trunks combined with the customer's standard FGD traffic directly to the CDL or through a Telephone Company access tandem to the CDL. The customer must be able to differentiate standard FGD calls from 950-XXXX calls delivered over the same FGD trunks. The customer may not have originating FGD switched access with 950-XXXX access and originating FGD switched access in the same end office utilizing the same 950-XXXX Customer Identification Code.</p>	
<p>u. Operator Assistance for SAC Access Service</p> <p>This option provides for operator completion of N00-NXX-XXXX type calls which are generated by an end user by dialing 0-. This option is available with SAC Access Service and with FGD which are used in conjunction with SAC Access Service.</p>	
<p>v. Switched Access Interface</p> <p>This arrangement provides the line switching and supervisory functions necessary to interface Voice Grade Special Access and Switched Access Services together for the provision of customer WATS and WATS-Type service. This service provides a transmission path capable of originating and/or terminating the customer's interstate and combined interstate/intrastate traffic. Combining of intrastate traffic will be provided in accordance with any individual state regulations as outlined in <i>V.B.5.b.(5)</i>.</p>	
<p>This arrangement is only available from Telephone Company designated end offices which are identified as WATS Serving Offices (WSO) in NECA Tariff FCC No. 4. Technical limitations resident in certain end office switches may preclude the availability of certain Switched Access Interface features. Depending on the configuration selected below, the Telephone Company will provide such services from the closest WSO that is technically equipped to provide such services. Special Access Transport charges will be applicable to the WATS Serving Office appropriately equipped for the service feature requested.</p>	
<p>The Switched Access portion of this arrangement is available from Section V. of this tariff, except as set forth in (5) following, and provides connectivity from the Telephone Company's WATS Serving Office to the CDL of the customer. The Special Access portion of this feature provides connectivity from the Telephone Company's WATS Serving Office to the end user's CDL.</p>	

V. SWITCHED ACCESS (Continued)

<p>Switched Access Interface Service is available in the following configurations/ features:</p> <p>(1) Originating Only Feature</p> <p>The Originating Only feature is available from appropriately equipped WATS Serving Offices on a per line basis and provides for the transporting of interstate calls from a special access line to the customer via either FGB or FGD Switched access. It is provided in the following two (2) arrangements:</p> <p>(a) Restricted Geographic Screening Arrangement - Originating Only</p> <p>This arrangement provides the ability to screen a dialed number by NPA and/or NXX on the basis of a geographical band which is in accordance with an end user's service agreement with the customer. The geographical bands available are those in effect as of the effective date of this tariff provision. The customer must provide the Telephone Company with the band information required for each Special Access line subscribed to this service.</p>	
<p>This arrangement is provided when used exclusively for interstate traffic (excluding international). This arrangement is not available for Multi-jurisdictional traffic (combined interstate and intrastate) as set forth in <i>V.B.5.v.(1)(b)</i> following.</p>	
<p>This arrangement is available from appropriately equipped WATS Serving Offices in conjunction with FGD provides for:</p> <ul style="list-style-type: none"> - the transporting of all interstate 1+NPA/NXX-XXXX and 1+FNPA-555-1212 calls to Directory Numbers that are associated with a customer selected geographic band to the customer; 	
<ul style="list-style-type: none"> - the blocking of all 1+NPA-NXX-XXXX and 1+FNPA-NXX-XXXX calls directed to Directory Numbers that do not lie within the geographic band selected by the customer; 	
<ul style="list-style-type: none"> - the blocking of all 1+500-NXX-XXXX, 0+500-NXX-XXXX, 1+700-NXX-XXXX, 1+800-NXX-XXXX, 1+866-NXX-XXXX, 1+877-NXX-XXXX, 1+888-NXX-XXXX and 1+900-NXX-XXXX calls; 	
<ul style="list-style-type: none"> - the blocking of all 0+NPA-NXX-XXXX calls; 	
<ul style="list-style-type: none"> - the transporting of all calls originated by dialing zero (0) to the Telephone Company operator; 	
<ul style="list-style-type: none"> - the transporting of all calls originated by dialing zero, zero (00) to the IC customer (available only with FGD); 	
<ul style="list-style-type: none"> - the blocking of all international calls preceded by the access codes 01 and 011; and 	
<ul style="list-style-type: none"> - the blocking of all calls preceded by the access code 101XXXX. 	

V. SWITCHED ACCESS (Continued)

<p>(b) Unrestricted Arrangement – Originating Only</p> <p>This arrangement is a multi-jurisdictional offering provided from a Telephone Company appropriately equipped WATS Serving Office and provides for the transporting of interstate and intrastate calls from a Special Access Line to the customer via FGB or FGD Switched Access. FGB access is obtained from a WATS Serving Office by dialing 950-XXXX or 1+950-XXXX. The combining of interstate and intrastate traffic will be in accordance with <i>V.B.5.v.(5)</i> following. This arrangement provides for transporting the following types of calls:</p> <ul style="list-style-type: none"> - 1+NPA-NXX-XXXX, 1+700-NXX-XXXX, and 1+FNPA-555-1212 calls to the IC customer or via facilities of the Telephone Company where state restrictions exist as detailed in <i>V.B.5.v.(5)</i> following; 	
<ul style="list-style-type: none"> - 1+800-NXX-XXXX, 1+866-NXX-XXXX, 1+877-NXX-XXXX or 1+888-NXX-XXXX calls to the carrier in accordance with the 800/866/877/888 Customer Identification Function described in <i>V.B.11.</i>; 	
<ul style="list-style-type: none"> - 1+900-NXX-XXXX calls to the carrier designated by the digits dialed; 	
<ul style="list-style-type: none"> - 1+500-NXX-XXXX or 0+500-NXX-XXXX calls to the carrier in accordance with the 500 Customer Identification Function described in <i>V.B.20.</i>; 	
<ul style="list-style-type: none"> - 0+NPA-NXX-XXXX calls to the IC customer or via facilities of the Telephone Company where state restrictions exist as detailed in <i>V.B.5.b.(5)</i> following; 	
<ul style="list-style-type: none"> - calls originated by dialing zero (0) to the Telephone Company operator; 	
<ul style="list-style-type: none"> - calls originated by dialing zero, zero (00) to the IC customer (available only with FGD); 	
<ul style="list-style-type: none"> - calls originated by dialing 01 or 011 to the IC customer; and 	
<ul style="list-style-type: none"> - 1+ or zero (0)+ NPA-NXX-XXXX calls preceded by the access code 101XXXX to the carrier designated by the dialed digits (available only with FGD). 	
<p>(c) Optional Access Code Arrangement</p> <p>Subject to technical availability, on an individual line basis, calls preceded by the access code 101XXXX will be blocked.</p>	
<p>(2) 800/866/877/888 Type Terminating Only Feature</p> <p>The 800/877/888 Type Terminating Only feature is available on a per-line basis from appropriately equipped WATS Serving Offices and provides for the termination of all calls from the subscribing carrier (originated on a 1+800, 1+877 and 1+888 basis) directed to the Special Access via FGB or FGD Switched Access. This option is not available with Tandem Switch Signaling.</p>	

V. SWITCHED ACCESS (Continued)

<p>(3) Combined Originating 800/866/877/888 Type Terminating Calling Feature</p> <p>The Combined Originating/Terminating Calling feature is available on a per-line basis from appropriately equipped WATS Serving Offices and provides the functionalities of both the Originating Only and the 800/866//877/888 Type Terminating Only features. This option is not available with Tandem Switch Signaling.</p>																																																																
<p>(4) The following matrix details the direction, call type, service prefix and traffic types provided on each Switched Access Interface Arrangement.</p> <p style="text-align: center;"><u>Switched Access Interface Arrangements</u></p> <table border="1" style="width: 100%; border-collapse: collapse;"> <thead> <tr> <th style="width: 15%;"></th> <th style="width: 15%; text-align: center;"><u>Restricted Geographic Screening Arrangement</u></th> <th style="width: 15%; text-align: center;"><u>Unrestricted Arrangement</u></th> <th style="width: 15%; text-align: center;"><u>800/866/877/888 Type Terminating Only</u></th> <th style="width: 15%; text-align: center;"><u>Combined Originating/ 800/866/877/888 Type Terminating</u></th> </tr> </thead> <tbody> <tr> <td>Section Ref.</td> <td style="text-align: center;">v.(1)(a)</td> <td style="text-align: center;">v.(1)(b)</td> <td style="text-align: center;">v.(2)</td> <td style="text-align: center;">v.(3)</td> </tr> <tr> <td colspan="5"><u>Directionality</u></td> </tr> <tr> <td>Originating Only</td> <td style="text-align: center;">x</td> <td style="text-align: center;">x</td> <td></td> <td></td> </tr> <tr> <td>Terminating Only</td> <td></td> <td></td> <td style="text-align: center;">x</td> <td></td> </tr> <tr> <td>Two-Way</td> <td></td> <td></td> <td></td> <td style="text-align: center;">x</td> </tr> <tr> <td colspan="5"><u>Call Type (1+)</u></td> </tr> <tr> <td>Local</td> <td style="text-align: center;">B</td> <td style="text-align: center;">B</td> <td style="text-align: center;">B</td> <td style="text-align: center;">B</td> </tr> <tr> <td>IntraLATA/Intrast</td> <td style="text-align: center;">B</td> <td style="text-align: center;">R/D*</td> <td style="text-align: center;">C</td> <td style="text-align: center;">R/D/C*</td> </tr> <tr> <td>IntraLATA/Interst.</td> <td style="text-align: center;">D</td> <td style="text-align: center;">D</td> <td style="text-align: center;">C</td> <td style="text-align: center;">D/C</td> </tr> <tr> <td>InterLATA/Intrast.</td> <td style="text-align: center;">B</td> <td style="text-align: center;">D*</td> <td style="text-align: center;">C</td> <td style="text-align: center;">D/C*</td> </tr> <tr> <td>InterLATA/Interst.</td> <td style="text-align: center;">D</td> <td style="text-align: center;">D</td> <td style="text-align: center;">C</td> <td style="text-align: center;">D/C</td> </tr> </tbody> </table> <p>D = Telephone Company DELIVERS traffic to the customer. R = Telephone Company RETAINS and completes traffic. C = Telephone Company COMPLETES traffic to the end user's premises. B = Telephone Company BLOCKS traffic to an announcement.</p> <p>*Intrastate traffic will be delivered to the customer except where a state restriction on the passage of intraLATA and/or interLATA traffic exists. These restrictions are detailed in V.B.5.v.(5).</p>						<u>Restricted Geographic Screening Arrangement</u>	<u>Unrestricted Arrangement</u>	<u>800/866/877/888 Type Terminating Only</u>	<u>Combined Originating/ 800/866/877/888 Type Terminating</u>	Section Ref.	v.(1)(a)	v.(1)(b)	v.(2)	v.(3)	<u>Directionality</u>					Originating Only	x	x			Terminating Only			x		Two-Way				x	<u>Call Type (1+)</u>					Local	B	B	B	B	IntraLATA/Intrast	B	R/D*	C	R/D/C*	IntraLATA/Interst.	D	D	C	D/C	InterLATA/Intrast.	B	D*	C	D/C*	InterLATA/Interst.	D	D	C	D/C
	<u>Restricted Geographic Screening Arrangement</u>	<u>Unrestricted Arrangement</u>	<u>800/866/877/888 Type Terminating Only</u>	<u>Combined Originating/ 800/866/877/888 Type Terminating</u>																																																												
Section Ref.	v.(1)(a)	v.(1)(b)	v.(2)	v.(3)																																																												
<u>Directionality</u>																																																																
Originating Only	x	x																																																														
Terminating Only			x																																																													
Two-Way				x																																																												
<u>Call Type (1+)</u>																																																																
Local	B	B	B	B																																																												
IntraLATA/Intrast	B	R/D*	C	R/D/C*																																																												
IntraLATA/Interst.	D	D	C	D/C																																																												
InterLATA/Intrast.	B	D*	C	D/C*																																																												
InterLATA/Interst.	D	D	C	D/C																																																												
<p>(5) Intrastate Traffic Restriction</p> <p>An interstate Switched Access Interface and an intrastate Switched Access Interface must be ordered for the provisioning of multi-jurisdictional access.</p>																																																																

V. SWITCHED ACCESS (Continued)

<p>Unless the customer subscribes to the 101XXXX blocking option offered in Section V.B.5.v.(1)(a) preceding, all calls carried over a Special Access Line used in conjunction with a Switched Access Interface for multi-jurisdictional access will be passed to the customer for completion except where a state restriction exists as follows.</p>	
<p>w. (Reserved for Future Use)</p>	
<p>x. (Reserved for Future Use)</p>	
<p>y. Switched Data Service</p> <p>(1) Switched 56</p> <p>This option provides for a connection capable of up to 56 Kbps digital transmission between the customer's CDL and a suitably equipped end office. Switched Data service lines connected at those suitably equipped end offices will be accessed on a switched basis for digital transmission up to 56 Kbps. These locations are identified in the National Exchange Carrier Association, Inc., Tariff FCC No. 4 Wire Center and Interconnection Information.</p>	
<p>This option is provided only with FGD. A separate FGD trunk group must be established for the provision of Switched Data service. This trunk group requires the use of a DS1 digital interface as described in Section V.B.3.b.(6). Switched Data and Non-Switched Data traffic may not be combined on the same trunk group.</p>	
<p>Access is made via the standard dialing pattern as set forth in section V.B.1.d.(8) and V.B.2.d.(8).</p>	
<p>(2) Switched 64</p> <p>This option provides for a connection capable of up to 64 Kbps digital transmission with clear channel capability between the customer's CDL and a suitably equipped end office. Clear channel capability allows for full bandwidth availability to the customer with no part of the channel used for control, framing or signaling.</p>	
<p>Switched 64 requires all digital facilities including the use of a DS1 digital interface as described in Section V.B.3.b.(6) and is available only with FGD from end offices capable of providing SS7 signaling, Bipolar with Eight Zero Substitution (B8ZS) line code format and Integrated Services Digital Network (ISDN) or other Switched Data based services. These locations are identified in the National Exchange Carrier Association, Inc., Tariff FCC No. 4 Wire Center and Interconnection Information.</p>	
<p>Access is made via the standard dialing pattern as set forth in Section V.B.1.d.(8) and V.B.2.d.(8).</p>	
<p>A separate FGD trunk group must be established for the provision of Switched 64 service.</p>	
<p>Switched data and non-switched data traffic may not be combined on the same trunk group.</p>	

V. SWITCHED ACCESS (Continued)

<p>z. 0+900 Service</p> <p>The 0+900 service option provides 0+900+NXX-XXXX dialing capability from end offices converted to equal access within a LATA. The 0+900 service option is provided only in conjunction with a customer's 1+900+NXX-XXXX dialing capability and is not offered without that capability.</p>	
<p>Calls to a 900 number dialed via 0+ will be blocked unless an ASR requesting unblocking is submitted to the Telephone Company by the customer. In addition, calls originating in a LATA for which 1+900 and 0+900 dialing capability has been established will be blocked utilizing the following blocking specifications.</p> <ul style="list-style-type: none"> - 1+900+NXX-XXXX will be blocked from coin phones (except customer owned coin operated telephones), 101XXXX, Inmate service, Hotel/Motel service (except those with customer owned rating services). 	
<ul style="list-style-type: none"> - 0+900+NXX-XXXX will be blocked from 10XXX or 101XXXX and Inmate service. 	
<p>6. Call Restriction and Code Screening Reports</p> <p>The customer, when ordering Call Denial on Line or Hunt Group, Service Class Routing or Trunk Access Limitation as in <i>V.B.5.</i>, shall report the appropriate codes to be instituted in each end office switch.</p>	
<p>7. Installation and Acceptance Testing of Switched Access</p> <p>a. The Switched Access provided under this tariff 1.) will include any Telephone Company installed equipment, entrance cable or drop wiring, and wiring or cable within a building necessary to terminate the Switched Access at a point of termination reasonably situated so as to serve the CDL, and 2.) will be installed by the Telephone Company to such a point of termination. The customer shall be responsible for providing facilities beyond the point of termination. When performing installation and acceptance testing, the Telephone Company will, on a cooperative basis, test the line or trunk beyond the customer's first point of switching (i.e., End-To-End).</p>	
<p>b. At no additional charge, the Telephone Company will, at the customer's request, cooperatively test, at the time of installation, loss, 3-tone slope, DC continuity, C-notched noise, C-message noise and operational signaling, when applicable. When the Interface Arrangement is established at the Telephone Company's first point of switching, and the customer requests these tests, the Telephone Company will perform the tests independently and provide the results to the customer. When the Interface Arrangement provides a four-wire voice transmission facility and the point of termination provides two-wire voice transmission (i.e., there is a four-wire to two-wire conversion at the point of termination), echo control (balance-echo return loss/equal level echo path loss) may also be tested.</p>	
<p>Additional charges will apply as in <i>VII.F.1.a.</i> when: a.) the customer requests a test not set forth above, or b.) the test requested is not essential to the installation of the particular Switched Access ordered.</p>	

V. SWITCHED ACCESS (Continued)

<p>If acceptance tests are not started within fifteen (15) minutes after the scheduled appointment time for such tests, as negotiated between the Telephone Company and the customer, additional charges will apply, as in <i>VII.B.4.</i> and <i>VII.B.7.</i>, unless the delay is caused by the Telephone Company.</p>	
<p>8. <i>Provision of Design Layout Report</i></p> <p>The Telephone Company will provide to the customer the makeup of the Switched Transport portion of the Switched Access provided under this tariff to enable the customer to design its overall service. This information will be reissued or updated whenever the makeup of the facilities provided to the customer are materially changed.</p>	
<p>9. <i>Network Management</i></p> <p>The Telephone Company will administer its network to ensure the provision of standard traffic grade of service levels to all telecommunications users of the Telephone Company's network services. The Telephone Company maintains the right to apply protective controls such as diversion of overflow traffic to informational announcements or restriction of access to congested traffic areas on any traffic carried over its network in order to assure satisfactory service levels to all customers. These controls include the right to restrict and, if necessary, deny access to and from the point of termination at the CDL.</p>	
<p>Outage credit will apply as in <i>III.D.4.</i>, in cases where all transmission paths are blocked as a result of application of protective controls, except that to the extent that these controls relate to emergency situations, no notice requirement is necessary beyond that already provided for in this tariff.</p>	
<p>10. <i>(Reserved for Future Use)</i></p>	
<p>11. <i>800/866/877/888 Customer Identification Function</i></p> <p>This function utilizes 800/866/877/888 Data Base Query Service, as described in <i>V.B.19.</i>, to screen all ten digits of all 1+800-NXX-XXXX, 1+866-NXX-XXXX 1+877-NXX-XXXX or 1+888-NXX-XXXX type calls generated by end users to determine the customer to which the 800/866/877/888 call is to be routed. This function is provided in conjunction with 800/866/877/888 SAC Access Service.</p>	
<p>12. <i>900 Customer Identification Function</i></p> <p>This function provides for screening of the first six (6) digits of all 900-NXX-XXXX type calls generated by end users to determine the customer to which the call is to be routed. This function is provided in conjunction with 900 SAC Access Service and with FGD.</p>	

V. SWITCHED ACCESS (Continued)

<p>13. Design and Routing of Switched Access</p> <p>The Telephone Company shall work cooperatively with the customer to design and determine the routing and directionality of Switched Access including the selection of facilities from the first point of switching to the CDL. Selection of facilities, equipment and routing of the Switched Access is based on standard engineering methods, facilities and equipment available, Telephone Company traffic routing plans, and the customer's order for service.</p>	
<p>14. Provision of Switched Access Performance Data</p> <p>Performance data for Switched Access will be made available to the customer based on Telephone Company established intervals and availability. This data may include, but is not limited to, equipment blockage and failure results, ineffective attempt performance, transmission failures, and other service-related data. Any request for data or format that is not Telephone Company Standard will be handled on an Individual Case Basis with any associated cost to be borne by the customer. Performance data related to customer provided facilities will not be provided.</p>	
<p>15. Transmission Performance</p> <p>Each Switched Access transmission path is provided with a standard transmission performance. The standard for a particular path is dependent on the Interface Arrangement and whether the Switched Access is routed direct or via a Telephone Company access tandem. In addition, Data Transmission Parameters may be ordered by the customer. The transmission performance parameters are set forth in GR-334-CORE of the GTE Technical Interface Reference Manual. The transmission performance parameters relate only to the Telephone Company provided portion of the service.</p>	
<p>16. Design Blocking Probability</p> <p>The Telephone Company will design the facilities used in the provision of Switched Access to meet the blocking probability criteria as follows:</p> <p>a. (Reserved for Future Use)</p>	
<p>b. For FGB and SAC Access Service, the design blocking objective will be one percent (1%) between the CDL and the first point of switching as in reference document GTE Service Corporation Telephone Operations - Traffic Grade of Service Standards. Standard traffic engineering methods will be used by the Telephone Company to determine the number of transmission paths required to achieve this level of blocking.</p>	
<p>c. For FGD the design blocking objective will be one percent (1%) between the CDL and the end office switch as in reference document GTE Service Corporation Telephone Operations - Traffic Grade of Service Standards. Standard traffic engineering methods will be used by the Telephone Company to determine the number of transmission paths required to achieve this level of blocking.</p>	

V. SWITCHED ACCESS (Continued)

<p>d. When FGB, FGD, or SAC Access Service is ordered in trunks, the Telephone Company cannot guarantee these design blocking probabilities. The Telephone Company will perform routine measurement functions to assure that an adequate number of transmission paths are in service. The Telephone Company will recommend that additional capacity (BHMC or quantities of trunks) be ordered by the customer when additional paths are required to reduce the measured blocking to the designed blocking level. For the capacity ordered, the design blocking objective is assumed to have been met if the routine measurements show that the measured blocking does not exceed the threshold listed in the following tables.</p>				
<p>(1) For FGB transmission paths carrying traffic between a CDL and the first point of switching, or for FGD transmission paths carrying traffic direct between a CDL and an end office, the measured blocking thresholds are as follows:</p>				
<p>Number of Transmission Paths Per Trunk Group</p>	<p>Measured Blocking Thresholds in the Daily Busiest Hour for the Number of Measurements Per Trunk Group</p>			
	<p>15-20 <u>Measurements</u></p>	<p>11-14 <u>Measurements</u></p>	<p>7-10 <u>Measurements</u></p>	<p>5-6 <u>Measurements</u></p>
2	.070	.080	.090	.140
3	.050	.060	.070	.090
4	.050	.060	.070	.080
5-6	.040	.050	.060	.070
7 or more	.030	.035	.040	.060
<p>(2) For FGD transmission paths carrying traffic between a CDL and an end office via an access tandem, the measured blocking thresholds are as follows:</p>				
<p>Number of Transmission Paths Per Trunk Group</p>	<p>Measured Blocking Thresholds in the Daily Busiest Hour for the Number of Measurements Per Trunk Group</p>			
	<p>15-20 <u>Measurements</u></p>	<p>11-14 <u>Measurements</u></p>	<p>7-10 <u>Measurements</u></p>	<p>5-6 <u>Measurements</u></p>
2	.045	.055	.060	.095
3	.035	.040	.045	.060
4	.035	.040	.045	.055
5-6	.025	.035	.040	.045
7 or more	.020	.025	.030	.040
<p>17. (Reserved for Future Use)</p>				
<p>18. (Reserved for Future Use)</p>				

V. SWITCHED ACCESS (Continued)

<p>19. 800/866/877/888 Data Base Query Service</p> <p>800/866/877/888 Data Base Query Service, offered in conjunction with 800/866/877/888 SAC Access Service, performs the 800/866/877/888 Customer Identification Function, as described in <i>V.B.11.</i>, to determine the customer to whom 800/866/877/888 calls must be routed. For all 1+800-NXX-XXXX, 1+866-NXX-XXXX, 1+877-NXX-XXXX or 1+888-NXX-XXXX calls originated by an end user, the Telephone Company will perform the customer identification function using a Telephone Company 800/866/877/888 Data Base to screen the dialed ten digits of the 800/866/877/888 call to determine the customer selected by the 800/866/877/888 subscriber to carry that 800/866/877/888 call. If the 800/866/877/888 call originates from an end office switch not equipped to provide the customer identification function, the call will be routed to a Telephone Company access tandem switch equipped to provide the customer identification function. Once customer identification has been established through 800/866/877/888 Data Base Query Service, the 800/866/877/888 call will be routed to the selected customer for completion.</p>	
<p>Basic 800/866/877/888 Data Base Queries provide instructions to route 1+800, 1+866, 1+877, or 1+888 calls on a simple call turn around basis to one particular customer or to different customers based on the LATA in which the 800/866/877/888 call originates.</p>	
<p>Premium 800/866/877/888 Data Base Queries provide instructions to route 1+800-NXX-XXXX, 1+866-NXX-XXXX, 1+877-NXX-XXXX, or 1+888-NXX-XXXX calls to:</p> <p>a. Different customers based on time of day, day of week, or based on number of calls allocated by 800/866/877/888 subscriber selected percentages</p>	
<p>b. Different terminating locations based on time of day, day of week, or based on number of calls allocated by 800/866/877/888 subscriber selected percentages.</p>	
<p>c. Standard seven digit local exchange telephone numbers at the terminating end based on the 800/866/877/888 subscriber's specific requirements.</p>	
<p>The 800/866/877/888 subscriber is responsible for arranging the entry of the various routing instructions discussed herein into the Number Administration Service Center's (NASC's) Service Management System (SMS).</p>	
<p><u>Rate</u> regulations and charges applicable to 800/866/877/888 Data Base Query Service appears in <i>V.E.2.b.</i> of this tariff.</p>	
<p>20. 500 Customer Identification Function</p> <p>This function provides for screening of the first six digits of all 500-NXX-XXXX type calls generated by end users to determine the customer to which the call is to be routed. This function is provided in conjunction with 500 SAC Access Service and with FGD. This function is available with Tandem Switch Signaling</p>	

V. SWITCHED ACCESS (Continued)

<p>C. <u>Obligations of the Customer</u></p> <p>1. <i>On and Off-Hook Supervision</i></p> <p>The customer facilities shall provide the necessary on and off-hook supervision.</p>	
<p>2. <i>ASR Requirements</i></p> <p>The customer shall order all Switched Access as described in Section IV., V.C.2. and V.C.3..</p>	
<p>ASRs for Entrance Facilities and Direct-Trunked Transport must specify the customer designated location, type of service (e.g., Voice Grade, DS1 or DS3), the channel interface, and any optional arrangements desired. In addition, ASRs for Direct-Trunked Transport must specify any Hubs involved and the end office, when direct routing to an end office is desired.</p>	
<p>ASRs for Direct-Trunked Transport must also specify the Feature Group number of trunks at the end office or Telephone Company access tandem, major traffic types and directionality. Ordered quantities shall be specified by originating and terminating direction and by traffic type (e.g., MTS/MTS-type or WATS/WATS-type). Where the customer desires to segregate its originating traffic into separate trunk groups by type of traffic, the customer must specify the ordered quantities by trunk group and by traffic type. For example, if a customer desires a separate trunk group to carry its 500, 800, 866, 877, 888 or 900 traffic, the order must specify the trunks or BHMCs associated with 500, 800, 866, 877, 888 or 900 traffic for that trunk group.</p>	
<p>Customers may order Tandem-Switched Transport by specifying the number of trunks required between the CDL and access tandem switch. The customer shall provide, when it orders lines or trunks, its projected interstate traffic distribution by percent for each end office in the Access Area by traffic type. If the customer fails to provide its traffic distribution, the Telephone Company will use appropriate Telephone Company traffic studies to project distribution by end office.</p>	
<p>When the Alternate Traffic Routing optional arrangement is provided, Percent Traffic Routed (PTR) values must be provided on the ASR as described in V.E.2.h.(2)(h).</p>	
<p>When a customer orders Switched Access for mixed interstate and intrastate usage, the customer shall provide an estimate of the total usage which will be interstate by traffic type. The customer allocated percentages will be used as a basis of the jurisdictional determination for billing purposes of all charges until a more accurate determination can be provided as in V.C.3. and V.E.2.d..</p>	

V. SWITCHED ACCESS (Continued)

<p>3. Jurisdictional Determination</p> <p>For purposes of determining the jurisdiction of Switched Access traffic, once the Switched Access service is activated, the following criteria will apply:</p> <p>a. When the Telephone Company has measurement capability to provide the data to determine the jurisdiction of Switched Access traffic, the Telephone Company will determine the jurisdiction of Switched Access traffic. In those instances where the Telephone Company cannot determine the jurisdiction, the customer will be required to provide this information as described below.</p>	
<p>b. To determine the jurisdiction of FGB Switched Access traffic, the following criteria will apply:</p> <p>(1) Traffic that enters a customer's network at a point within the same state as that in which the station designated by dialing is situated will be considered as intrastate</p>	
<p>(2) Traffic that enters a customer's network at a point in a state other than that in which the station designated by dialing is situated will be considered interstate.</p>	
<p>c. (Reserved for Future Use)</p>	
<p>d. When a customer submits an order for Switched Access services the customer must state the Percentage of Interstate Usage (PIU) on a statewide, LATA, billing account number (BAN) or end office level as follows:</p> <p>(1) For FGB, FGD, 500, 800, 866, 877, 888 and 900 End Office services, the PIU will be applied to the appropriate Carrier Common Line, End Office Switching, and, if applicable, Tandem Switched Transport and Tandem Switching minutes of use.</p>	
<p>(2) A PIU may be provided for each Entrance Facility and a separate PIU may be provided for each Direct-Trunked Transport facility reflecting the originating and terminating traffic of all Switched Access services that use such facilities. When a customer orders the same type of Entrance Facility and Direct-Trunked Transport, i.e., DSO, DS1 or DS3, from the CDL to the first point of switching or Telephone Company hub, the customer may submit one PIU to be applied to both the Entrance Facility and the Direct Trunked Transport. A consolidated PIU for all Entrance Facility and Direct-Trunked Transport elements may be provided at the option of the customer if such PIU is representative of the actual interstate use of the service.</p>	
<p>e. If the customer provides jurisdictional information, the following requirements apply:</p> <p>(1) The customer will provide quarterly reports indicating the percent of total Telephone Company provided Switched Access usage that is interstate and intrastate. The reports may aggregate usage at a statewide, LATA, BAN (Billing Account Number) or end office level.</p>	
<p>(2) The reports will be based on the calendar year and will be due within fifteen (15) days after the end of the quarter beginning with the completion of the first full quarter of service.</p>	

V. SWITCHED ACCESS (Continued)

<p>(3) The customer will maintain records of call detail from which the jurisdictional determination is made. For verification purposes the Telephone Company may request that these records be made available for inspection and audit on not more than an annual basis. Such audit may be conducted by independent auditors if the Telephone Company and the customer, or the customer alone is willing to pay the expense.</p>	
<p>The quarterly reports will be used as the basis for prorating charges to the interstate and intrastate jurisdictions for the next three month's billing and will be effective on the first day of the next monthly billing period which begins at least fifteen (15) business days after the day on which the customer reports the revised jurisdictional information to the Telephone Company.</p>	
<p>In the event the customer fails to provide a report for one (1) or more quarters, the Telephone Company will use the most recently provided quarterly report for subsequent bills until the customer provides an updated report.</p>	
<p>No revisions to bills preceding the effective date of the revised jurisdictional information will be made based on this report.</p>	
<p>In those situations where a PIU for Entrance Facility or Direct-Trunked Transport charges has not been provided with a quarterly update and is therefore not available, the Telephone Company will apply a current PIU from its Jurisdictional Factors Database. The first available factor from the following sequence will be selected: Feature Group D first, Feature Group B second.</p>	
<p>f. Payment Arrangements and Credit Allowances (1) (Reserved for Future Use)</p>	
<p>(2) Cancellation of Applications A customer may cancel an application for Switched Access in Accordance with the regulations and charges in Section IV..</p>	
<p>(3) Credit Allowances (a) Allowances for service interruptions are in III.D.4..</p>	
<p>(b) (Reserved for Future Use)</p>	
<p>(c) (Reserved for Future Use)</p>	
<p>D. <u>Payment Arrangements and Credit Allowances</u> 1. (Reserved for Future Use)</p>	

V. SWITCHED ACCESS (Continued)

<p>2. Cancellation of Applications</p> <p>A customer may cancel an application for Switched Access in Accordance with the regulations and charges in Section IV..</p>							
<p>3. Credit Allowances</p> <p>a. Allowances for service interruptions are in III.D.4..</p>							
<p>b. (Reserved for Future Use)</p>							
<p>c. (Reserved for Future Use)</p>							
<p>E. Rate and Charge Regulations</p> <p>1. Rate Elements</p> <p>For the purposes of determining the rates and charges for Switched Access, including SAC Access Service, the following rate elements may apply:</p> <table border="0" data-bbox="389 903 1031 997"> <tr> <td>Entrance Facility</td> <td>Shared Trunk Port</td> </tr> <tr> <td>Direct-Trunked Transport</td> <td>Dedicated Trunk Port</td> </tr> <tr> <td>Tandem-Switched Transport</td> <td>Shared Multiplexing</td> </tr> </table> <p>Multiplexing</p> <p>End Office Switching</p> <p>800/866/877/888 Data Base Query</p> <p>FGB, FGD, and SAC Access Service are also subject to the Network Blocking charge per call as in V.E.2.c..</p>	Entrance Facility	Shared Trunk Port	Direct-Trunked Transport	Dedicated Trunk Port	Tandem-Switched Transport	Shared Multiplexing	
Entrance Facility	Shared Trunk Port						
Direct-Trunked Transport	Dedicated Trunk Port						
Tandem-Switched Transport	Shared Multiplexing						
<p>2. Rate Regulations</p> <p>This section contains the specific regulations governing the rates and charges that apply for Switched Access including SAC Access service and 800, 866, 877, 888 Data Base Query service.</p> <p>a. Types of Rates and Charges</p> <p>There are three types of rates and charges. These are usage sensitive rates, flat rates, and nonrecurring charges. The rates and charges are described as follows.</p> <p>(1) Usage Rated</p> <p>Usage rates are rates applied on a per Access Minute basis as described in V.E.2., or they are applied on a per query basis either as basic or premium as described in V.E.2..</p>							

V. SWITCHED ACCESS (Continued)

End Office Switching rate elements are usage rated.	
The Tandem-Switched Transport - Termination, Tandem Switching, Shared Trunk Port and Shared Multiplexing rate elements are usage rated.	
The Tandem-Switched Transport - Facility rate element is both usage and distance-sensitive.	
(2) Flat Rated Flat rates apply, on a per month basis, regardless of the amount of rate element usage. Flat rates may be either distance-sensitive or nondistance-sensitive.	
Direct-Trunked Transport is flat-rated and is both distance and nondistance-sensitive.	
The Entrance Facility is flat-rated and is nondistance-sensitive.	
Dedicated Multiplexing and Dedicated Trunk Port charge are all flat-rated elements.	
(3) Nonrecurring Charges Nonrecurring charges are one-time charges that apply for specific work activities in conjunction with providing Switched Access Service or a change to an existing Switched Access Arrangement or Feature Group Arrangement. (a) Service Installation Charges The Service Installation Charge applies to customer requests for installation of Switched Access Entrance Facilities from the CDL to the serving wire center. The charge applies on a per Entrance Facility basis and is dependent upon the type of Entrance Facility ordered (i.e., Voiceband, DS1 or DS3).	
(b) Installation of Voiceband Entrance Facilities The Service Installation Charge associated with the installation of Voiceband Entrance Facilities is specified in <i>V.F.2.j.</i> .	
(c) Installation of Multiplexing Arrangements A Nonrecurring Charge applies for the installation of multiplexing arrangements available with Switched Access Service. This charge, as shown in <i>V.F.2.m.</i> , applies per multiplexing arrangement ordered and is dependent upon the type of multiplexing performed. (DS1 to Voice or DS3 to DS1). This charge also applies whether the multiplexing arrangement is installed coincident with the initial installation or at any time subsequent to the installation of service.	
(d) (Reserved for Future Use)	

V. SWITCHED ACCESS (Continued)

<p>(e) Installation of DS1 and DS3 Entrance Facilities</p> <p>(i) DS1 Standard Arrangements</p> <p>For DS1 Entrance Facilities, a nonrecurring charge applies for the first DS1 Entrance Facility ordered and each additional DS1 Entrance Facility between the same CDL and serving wire center. Charges are as shown in <i>V.G.2.k.</i></p>	
<p>(ii) (Reserved for Future Use)</p>	
<p>(iii) DS3 Arrangements</p> <p>For DS3 Entrance Facilities, the charge for the installation will apply at the rates set forth in <i>V.G.2.l.</i></p>	
<p>(f) (Reserved for Future Use)</p>	
<p>(g) Switched Access Ordering Charge</p> <p>This charge, applied on a per ASR basis, is associated with the work performed by the Telephone Company in connection with the receiving, recording and processing of service requests. The Switched Access Ordering Charge, as shown in <i>V.G.1.a.</i> applies to all requests to establish Entrance Facilities, Direct-Trunked Transport Facilities, and Tandem-Switched Transport Facilities. Where Entrance Facilities and Direct-Trunked and/or Tandem-Switched Transport are ordered on a single ASR, only one Switched Access Ordering Charge applies. This charge is in addition to any Service Installation Charge for Entrance Facility installations.</p>	
<p>Switched Access Ordering Charge applies to customer request to change an end user WATS Access line (i.e., OutWATS) to a different band. This charge does not apply to 800/866/877/888 (InWATS) service.</p>	
<p>The Switched Access Ordering Charge also applies to requests to activate additional trunks or to increase BHMC on existing Switched Transport Facilities and, changes in the type of Feature Group or Direct-Trunked Transport, for any modifications or changes to existing services that are not considered an administrative change as described in <i>V.E.2.a.(3)(h)</i>. This would include activities such as:</p> <ul style="list-style-type: none"> - Changes and/or additions to end office services optional arrangements (changes in hunt group or screening arrangements). 	
<ul style="list-style-type: none"> - A move to a new point of termination within the same CDL. 	
<ul style="list-style-type: none"> - The activation or deactivation of 500 or 900 SAC NXX codes on a per tandem level or end office basis. 	
<ul style="list-style-type: none"> - The unblocking or blocking of 0+900 dialing capability on a per tandem level or end office basis. 	

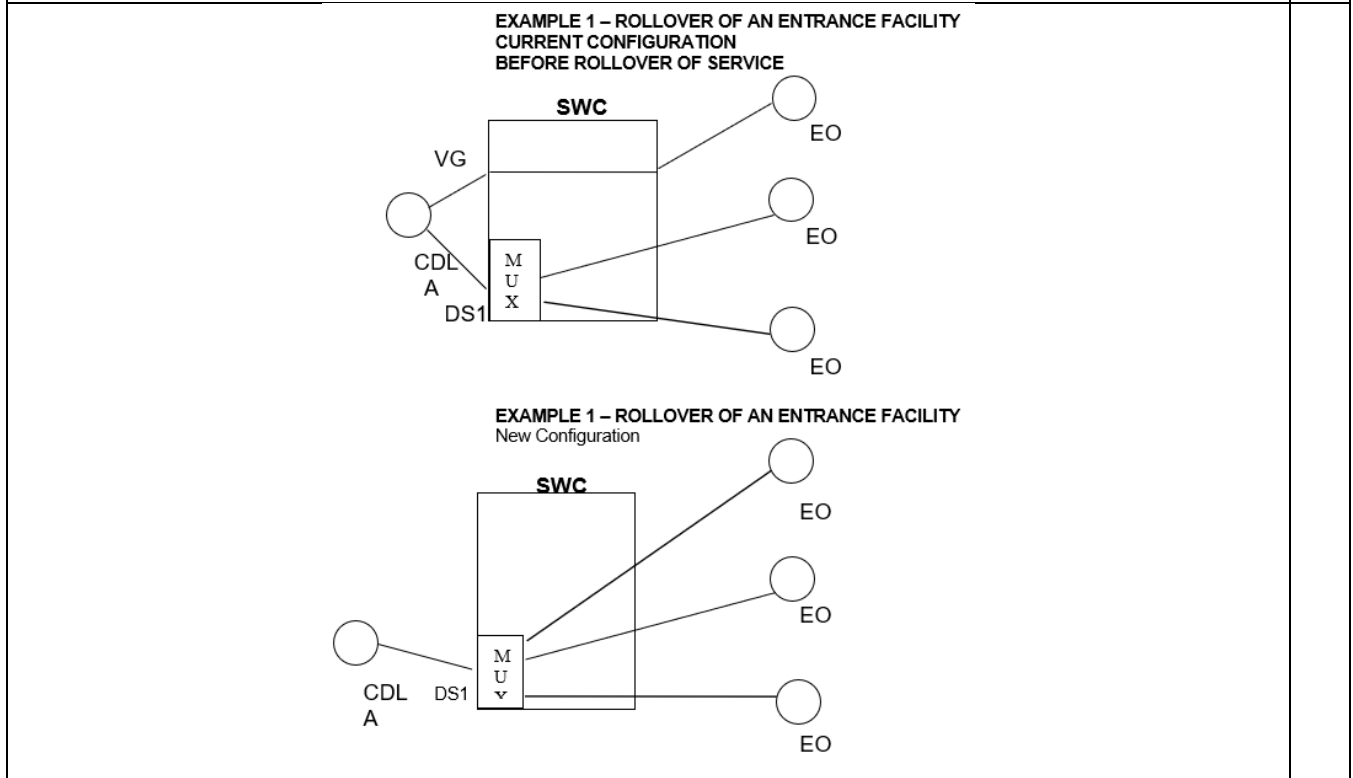
V. SWITCHED ACCESS (Continued)

<p>The Switched Access Ordering Charge will not apply to requests where the customer has existing FGB and/or FGD and the customer wants to add a new CIC Code to those existing facilities.</p>	
<p>(h) Service Rearrangements</p> <p>Service rearrangements are changes to existing (installed) services which may be administrative only in nature or involve an actual physical change in service.</p>	
<p>Changes in the type of Entrance Facility will be treated as a discontinuance of one type of service and a start of another. The Service Installation charge shall apply to the new Entrance Facility installation.</p>	
<p>Changes in the physical location of the point of termination are treated as moves which are described and charged for as in <i>V.E.2.a.(3)(n)</i>.</p>	
<p>Changes in name or ownership or transfer of responsibility from one customer to another requires the discontinuance of service and the start of a new service when an interruption or relocation of service is involved. The Switched Access Ordering Charge and Service Installation Charge, if appropriate, and any appropriate Minimum Period Charges will apply per service change.</p>	
<p>Administrative changes will be made without charge to the customer. Administrative changes are as follows:</p> <ul style="list-style-type: none"> - Change in name or ownership or transfer of responsibility from one customer to another, provided there is no interruption of use or relocation of Switched Access service. 	
<ul style="list-style-type: none"> - Change of customer or customer's end user premise address when the change of address is not a result of a physical relocation of equipment, 	
<ul style="list-style-type: none"> - Change in billing data (name, address or contact name or telephone number), 	
<ul style="list-style-type: none"> - Change in customer circuit identification, 	
<ul style="list-style-type: none"> - Change of billing account number, 	
<ul style="list-style-type: none"> - Change of customer testline number, 	
<ul style="list-style-type: none"> - Change of customer or customer's end user contact name or telephone number, and 	
<ul style="list-style-type: none"> - Change of agency authorization. 	

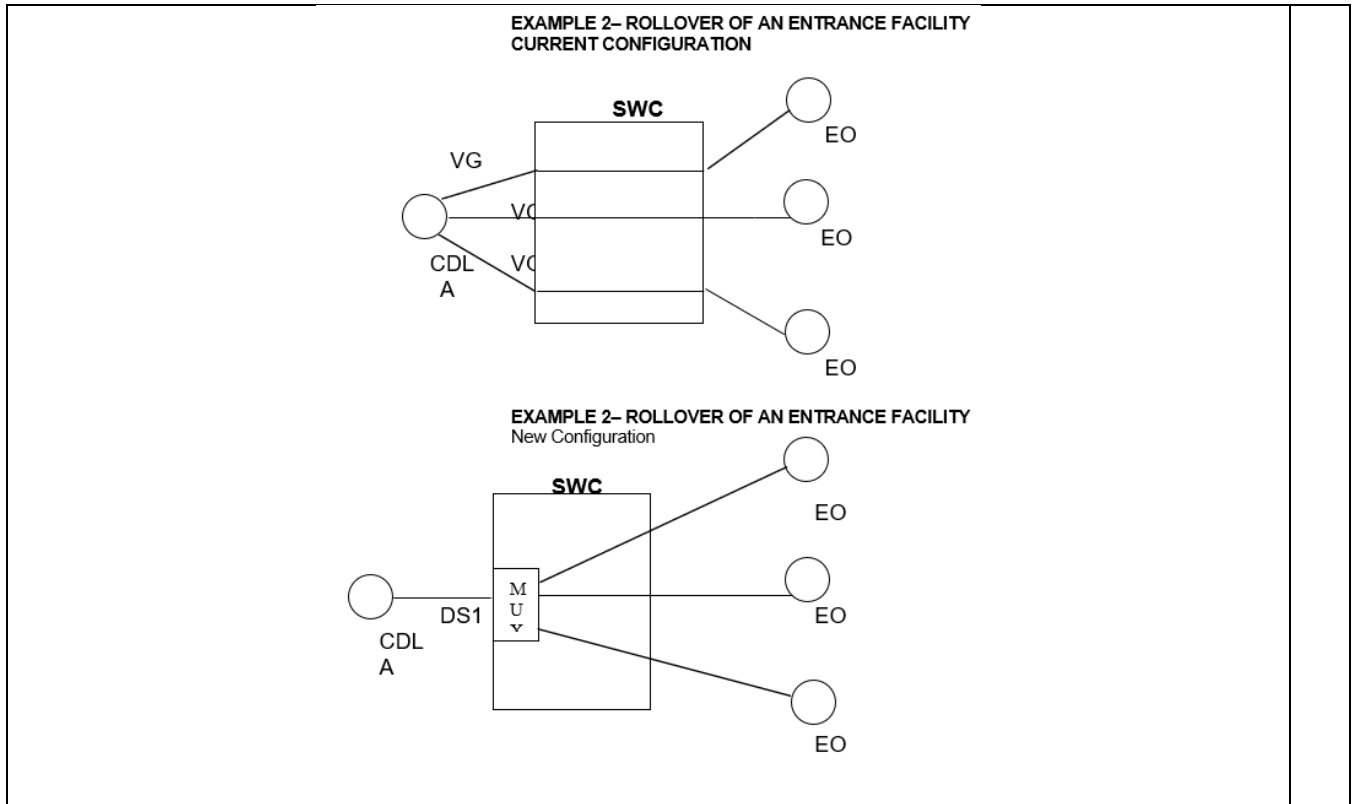
V. SWITCHED ACCESS (Continued)

If the change involves only rollovers or grooming, then no charges will apply. A rollover is the retermination of a segment of a lower capacity switched transport entrance facility onto a higher capacity switched transport entrance facility. The rollover must occur in the wire center where the higher capacity service is multiplexed with no other changes to the lower capacity service being reterminated (i.e., the segment must not require rerouting to connect to the multiplexer of the higher capacity service).

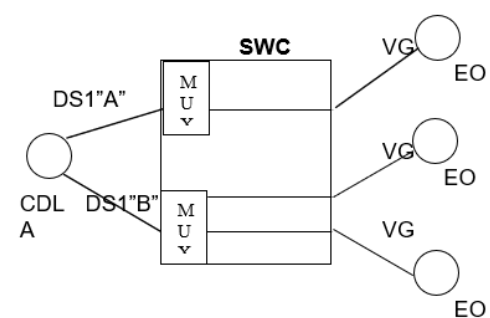
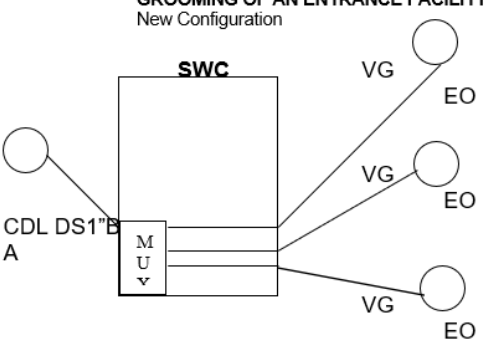
Grooming is the retermination of a lower capacity switched transport entrance facility from one channel in a higher capacity switched transport entrance facility to another channel in the same higher capacity service or to another channel in another higher capacity switched transport entrance facility (i.e., change in connecting facility assignment) in the same wire center, with no other changes to the lower capacity service.



V. SWITCHED ACCESS (Continued)



V. SWITCHED ACCESS (Continued)

<p style="text-align: center;">GROOMING OF AN ENTRANCE FACILITY CURRENT CONFIGURATION</p>  <p style="text-align: center;">GROOMING OF AN ENTRANCE FACILITY New Configuration</p> 	
<p>(i) Design Change Charge (USOC – H28)</p> <p>A design change is any change to a pending ASR or a change to an existing service which requires engineering review or change. Design changes may include the addition or deletion of End Office Services Optional Arrangements or changes in the signaling arrangements associated with the Entrance Facilities as described in V.B.3.b.. Design changes do not include a change of Switched Access Entrance Facilities or facility type, IC CDL, end user premises, end office switch, or Feature Group type. Changes of this nature will require the issuance of a new ASR and the cancellation of the original ASR with the appropriate cancellation charges applied.</p>	
<p>The Telephone Company will review the requested change; notify the customer whether the change can be accommodated and if a new service date is required. If the customer authorizes the Telephone Company to proceed with the design change, a Design Change Charge will apply.</p>	
<p>The Design Change Charge for Switched Access Service in Section V.F.1. will apply on a per ASR per occurrence basis for each request requiring a design change.</p>	
<p>The Design Change Charge is in addition to any Switched Access Installation or Ordering charges associated with the change requested.</p>	

V. SWITCHED ACCESS (Continued)

<p>If a change of service date is required, the Service Date Change Charge in <i>IV.B.2.</i> will also apply.</p>	
<p>(j) (Reserved for Future Use)</p>	
<p>(k) (Reserved for Future Use)</p>	
<p>(l) 0+900 Service</p> <p>A nonrecurring charge, as shown in <i>V.F.1.</i>, is applicable to the unblocking of 0+900 dialing capability in an end office in addition to the rates and charges applicable to Switched Access service outlined in other sections of this tariff. Switched Access ordering charges also apply. The 0+900 service option is not offered without 1+900 access capability.</p>	
<p>Switched Access minutes of use apply to 0+900 usage.</p>	
<p>(m) Change of Switched Access Type</p> <p>A nonrecurring charge, as shown in <i>V.F.1.</i>, is applicable to the unblocking of 0+900 dialing capability in an end office in addition to the rates and charges applicable to Switched Access service outlined in other sections of this tariff. Switched Access ordering charges also apply. The 0+900 service option is not offered without 1+900 access capability.</p>	
<p>(i) When a customer upgrades a FGB to a FGD at the same first point of switching, the charge will not apply. If however, optional features are added to the service at the time the conversion takes place, the Ordering Charge for these additions will apply.</p>	
<p>(ii) (Reserved for Future Use)</p>	
<p>(iii) (Reserved for Future Use)</p>	
<p>(iv) Where a customer has Feature Group B (FGB) and Feature Group D (FGD) at a Telephone Company access tandem, the following application of charges will apply for end office conversions:</p> <p>(a) Where FGB service exists at an end office the customer may retain the FGB service or upgrade the FGB service to FGD. When the customer requests no physical changes or trunking additions/deletions to the existing facilities, the ordering charge will not apply to retain the existing service or upgrade.</p>	
<p>(b) Where FGB and/or FGD service exists at a Telephone Company access tandem but does not exist at an end office and the customer now wants to add FGB and/or FGD to the end office, the ordering charge will not apply to add the service when the customer requests no physical changes, additions, or deletions to the customer's existing facilities.</p>	

V. SWITCHED ACCESS (Continued)

<p>(n) Moves</p> <p>A move involves a change in the physical location of the point of termination of Switched Access. A move normally involves an interruption of Switched Access for the period required to complete the move. The charge for the move depends on whether the move is within the same CDL or to a different CDL.</p> <p>(i) Same CDL</p> <p>When the move is to a new point within the same CDL (same address and/or same building), the Switched Access Ordering Charge in <i>V.F.1.a.</i> will apply. There will be no change in the minimum period requirements. For services subject to payment plan regulations the same payment plan will remain in force.</p>	
<p>(ii) A Different CDL</p> <p>When the move is to a different CDL it will be treated as a disconnect and an installation of Switched Access. The Switched Access Installation and Ordering charges, as specified in <i>V.F.1.a.</i> will apply to the Switched Access, installed at the CDL. A new minimum period will be established for the installed Switched Access. The customer will remain responsible for all remaining minimum period charges associated with the disconnected Switched Access Service. For services subject to payment plan regulations the same payment plan will remain in force.</p>	
<p>b. 800/866/877/888 Data Base Query Service</p> <p>Query usage charges for 800/866//877/888 Data Base Query Service shown in <i>V.F.3.a.</i> apply as follows:</p> <p>(1) A Basic 800/866/877/888 Data Base Query charge will apply for each basic 800,866, 877 or 888 call query completed at the Telephone Company's 800/866/877/888 data base. Per query charges are accumulated over a monthly period and billed to the customer on a monthly basis.</p>	
<p>(2) A Premium 800/866/877/888 Data Base Query charge will apply for each premium 800, 866, 877 or 888 call query completed at the Telephone Company's 800/866/877/888 data base. Per query charges are accumulated over a monthly period and billed to the customer on a monthly basis.</p>	

V. SWITCHED ACCESS (Continued)

<p>c. Network Blocking Charge for Tandem Switched FGB, FGD, and SAC Access Service</p> <p>The customer will be notified by the Telephone Company to increase its capacity when excessive trunk group blocking occurs on groups carrying FGB, FGD, or SAC Access Service traffic and the measured access minutes for the Daily Busiest Hour exceed the capacity purchased. Excessive trunk group blocking occurs when the blocking thresholds stated below are exceeded. They are predicated on Daily Busiest Hour measurements for four contiguous weeks using the five (5) highest traffic days of the week, excluding national holidays. The Telephone Company will not bill the customer a Network Blocking Charge if an ASR for additional capacity is received by the Telephone Company within 15 days of the notification. If an ASR is not received within fifteen (15) days of notification the rate in <i>V.F.1.c.</i>, will apply when a.) the Daily Busiest Hour average blocking for the four contiguous weeks exceeds the threshold level and b.) the average originating or two-way usage measured for these same hours exceeds the Switched Access capacity purchased.</p>																
<p>Blocking Thresholds:</p> <table border="1" data-bbox="483 793 938 982"> <thead> <tr> <th><u>Trunks in Service</u></th> <th><u>1%</u></th> <th><u>1/2%</u></th> </tr> </thead> <tbody> <tr> <td>1-2</td> <td>.070</td> <td>.045</td> </tr> <tr> <td>3-4</td> <td>.050</td> <td>.035</td> </tr> <tr> <td>5-6</td> <td>.040</td> <td>.025</td> </tr> <tr> <td>7-or more</td> <td>.030</td> <td>.020</td> </tr> </tbody> </table> <p>The one percent (1%) blocking threshold is for FGB, and SAC Access Service transmission paths carrying traffic between a CDL and the first point of switching, or FGD transmission paths carrying traffic direct between a CDL and an end office. The one-half percent (1/2%) blocking threshold is for FGD transmission paths carrying traffic between a CDL and an end office via an access tandem.</p>	<u>Trunks in Service</u>	<u>1%</u>	<u>1/2%</u>	1-2	.070	.045	3-4	.050	.035	5-6	.040	.025	7-or more	.030	.020	
<u>Trunks in Service</u>	<u>1%</u>	<u>1/2%</u>														
1-2	.070	.045														
3-4	.050	.035														
5-6	.040	.025														
7-or more	.030	.020														
<p>d. Determination of Interstate Charges for Mixed Interstate and Intrastate Switched Access</p> <p>When mixed interstate and intrastate Switched Access Service is provided, all charges, will be prorated based on the jurisdictional distribution of access minutes as in <i>V.C.2.</i> and <i>V.C.3.</i>. The portion of a Switched Access Service to be charged as interstate is determined in the following manner:</p>																
<p>For usage rated elements, multiply the percent interstate use times the total usage, either measured or assumed, rounded to whole access minutes times the appropriate tariff rate element.</p>																
<p>For monthly and nonrecurring rate elements, multiply the percent interstate use times the quantity of each chargeable element times the stated tariff rate per element.</p>																
<p>e. Local Dial-It Services</p> <p>Customer will be billed charges for terminating Switched Access calls to certain community information services, for which rates are applicable under the Telephone Company General and/or Local Tariffs (e.g., 976 Dial-It Network Services).</p>																

V. SWITCHED ACCESS (Continued)

<p>f. Directory Assistance</p> <p>Terminating Switched Access calls dialed to Directory Assistance will be rated under the applicable rates for the Switched Access in V.F. of ZiPLY Fiber Telephone Companies Tariff FCC No. 2. In addition, the charge per call to Directory Assistance in the Telephone Company General and/or Local Tariffs may also apply.</p>	
<p>g. (Reserved for Future Use)</p>	
<p>h. Description and Application of Rates</p> <p>(1) (Reserved for Future Use)</p>	
<p>(2) Switched Transport</p> <p>Switched Transport is determined as follows:</p> <p>(a) The Tandem-Switched Transport - Facility rate is applied per access minute per airline mile for each Switched Access Feature Group type. Tandem-Switched Transport - Facility airline mileage will be determined as follows:</p> <p>Where Direct-Trunked Transport is ordered between a serving wire center and an access tandem, and Tandem-Switched Transport is ordered to subtending end offices, tandem switched transport mileage will be measured from the access tandem to the end office or WSO (for WATS and WATS-type.</p>	
<p>When the end office is acting as a host office, a separate mileage calculation determines the mileage from the host office to the remote office. Traffic originating from and/or terminating to the remote will be billed Tandem-Switched Transport charges. The Tandem Switching charge does not apply to traffic between a host and remote office.</p>	
<p>The V&H coordinate method is used to determine the actual mileage as set forth in NECA, Inc.'s Tariff FCC No. 4. If the calculated miles include a fraction, the value is rounded up to the next full mile.</p>	
<p>Switched Transport rates apply to the switched access minutes of use that originate/terminate at a MTSO directly connected to a Telephone Company access tandem or end office. Where the connection is made directly to an end office, rates for Direct-Trunked Transport, as ordered by the customer shall apply between the end office and the serving wire center of the customer. Where the connection is made directly to an access tandem, Direct-Trunked Transport shall apply between the access tandem and the serving wire center of the customer. The Tandem Switched Transport rates will apply to all minutes of use where the MTSO connection is made directly to an access tandem.</p>	
<p>Where Tandem-Switched Transport - Facility is provided by more than one telephone company, the mileage for each will be determined as in III.G..</p>	

V. SWITCHED ACCESS (Continued)

	The Tandem-Switched Transport - Facility rate will not apply if the CDL serving wire center and the end office are co-located (where V/H - V/H = 0).	
(b)	The Tandem-Switched Transport - Termination rate applies per access minute for each termination (i.e., the access tandem and the end office serving the end user, and the host and remote end office) for all Switched Access Feature Group types.	
	When both terminations are provided by the Telephone Company, the Tandem-Switched Transport - Termination rate applies twice, including those situations when the terminations are co-located.	
	When both terminations are provided by the Telephone Company and traffic originates from or terminates to a remote office, the Tandem-Switched Transport - Termination rate applies four times (i.e., for each termination from the access tandem to the host and for each termination from the host to the remote office).	
	The Tandem-Switched Transport - Termination rate applies to switched access minutes of use that originate/terminate at a MTSO directly interconnected to a Telephone Company access tandem or end office.	
	Where the Tandem-Switched Transport - Facility is provided by more than one telephone company, the Tandem-Switched Transport – Termination rate applies for the termination (i.e., the access tandem or the end office serving the end user) at the Telephone Company end of the Switched Transport as in <i>III.G.</i> . The Tandem-Switched Transport - Termination rate will not apply when the Telephone Company is the intermediate provider of the Tandem-Switched Transport – Facility.	
	For Tandem Switched Transport, a Shared Multiplexing Rate will be assessed on all access minutes that traverse a common trunk group from the Telephone Company Access Tandem to an end office.	
(c)	(Reserved for Future Use)	
(d)	The Direct-Trunked Transport rates are applied on a monthly airline mile and termination basis, except that Direct-Trunked Voiceband Transport is applied on a monthly airline mile basis only.	
	To determine the Direct-Trunked Transport airline mileage, the distance will be measured from the wire center that normally serves the CDL to the access tandem, end office, WSO (for WATS and WATS-type), or the end office that serves as the host for a remote office. The V&H coordinate method is used to determine the actual mileage as set forth in NECA Inc.'s Tariff FCC No. 4. If the calculated miles include a fraction, the value is rounded up to the next full mile.	
	For traffic originating from or terminating to a remote office, the mileage will be calculated separately from the end office switch that serves as the host to the remote using the V&H coordinates method.	

V. SWITCHED ACCESS (Continued)

<p>The Direct-Trunked Transport Rates apply from the customer's serving wire center to the end office that serves as the host office. Traffic originating from and/or terminating to the remote will be billed Tandem-Switched Transport charges based on mileage between the host and remote office. The Tandem-Switched Transport - Termination Charge is applicable for each termination between the host and remote office. The Tandem Switching Charge is not applicable for Tandem-Switched Transport between the end office that serves as the host to the remote office.</p>	
<p>When Telephone Company Hubs are involved, mileage is computed and rates applied separately for each section of the Direct-Trunked Transport, i.e., customer serving wire center to Hub, Hub to Hub, Hub to Tandem or Hub to end office.</p>	
<p>Where Direct-Trunked Transport includes termination rates, i.e., High Capacity DS1 and DS3 transport, one Termination rate applies for the termination of each end of the interoffice facility.</p>	
<p>(e) The Entrance Facility rate is a flat-rated charge assessed per Voiceband, DS1 or DS3 termination at the CDL. This charge will apply even if the CDL and the serving wire center are co-located in a Telephone Company building.</p>	
<p>(f) The Tandem Switching rate is usage-sensitive and is applied per access minute to all feature groups for Tandem-Switched Transport with two exceptions. The Tandem-Switching Rate is not applicable for Tandem-Switched Transport between a host office and a remote office.</p>	
<p>(g) (Reserved for Future Use)</p>	
<p>(h) When the Alternate Traffic Routing optional arrangement is provided in conjunction with Feature Groups B and D and the end office or Telephone Company access tandem switch is unable to determine the specific trunk group carrying alternate routed traffic to multiple CDLs, switched transport access minutes will be apportioned among the number of trunk groups utilized to provide this optional arrangement. Such apportionment will occur through the application of Percent Traffic Routed (PTR) values provided by the customer on the ASR. The PTR value for each trunk group, the percentage of total traffic to be attributed to each trunk group, will be determined by dividing the BHMC for each trunk group by the total BHMC for all trunk groups carrying alternate routed traffic. The resulting percentage, or PTR value, for each trunk group will be multiplied times the total alternate routed traffic quantity to apportion usage to the individual trunk group. This apportionment will serve as the basis for the switched transport mileage calculation for alternate routed originating traffic as described herein.</p>	

V. SWITCHED ACCESS (Continued)

	<p>When Feature Group B or D Switched Access service is terminated from multiple CDLs through a Telephone Company access tandem or is terminated from multiple CDLs directly to an end office and the end office or Telephone Company access tandem is unable to determine the specific trunk group carrying such terminating traffic, switched transport access minutes will be apportioned among the number of trunk groups carrying such terminating traffic. Such apportionment will occur through the application of PTR values provided by the customer on the ASR. The PTR value for each trunk group will be determined by dividing the BHMC for each trunk group by the total BHMC for all trunk groups carrying such terminating traffic.</p>	
	<p>The resulting PTR value for each trunk group will be multiplied times the total terminating traffic quantity to apportion usage to the individual trunk group. This apportionment will serve as the basis for the switched transport mileage calculation for traffic terminating from multiple CDLs as described herein.</p>	
	<p>The PTR values as described herein must be included on any ASR establishing or changing any Switched Access service arrangement requiring the use of PTRs. The notation of such PTR values on ASRs must indicate whether the PTR will be used to apportion alternate routed originating traffic to multiple CDLs or to apportion traffic terminating from multiple CDLs. The Telephone Company may conduct verification audits, not to exceed one (1) each year, for each customer, and for each location. Such audits may be conducted by independent auditors if the Telephone Company and the customer, or the customer alone, is willing to pay the expense.</p>	
	<p>(3) (Reserved for Future Use)</p>	
	<p>(4) (Reserved for Future Use)</p>	
	<p>(5) End Office Switching</p> <p>End Office Switching is available on a bundled basis. End Office Switching - Bundled (EOSB) rates as shown below in V.F. apply to Switched Access services provided as Feature Groups and SAC services.</p>	
	<p>End Office Switching rates do not apply to switched access minutes of use that originate or terminate at MTSOs directly interconnected to a Telephone Company access tandem office.</p>	
	<p>(6) (Reserved for Future Use)</p>	
	<p>(7) (Reserved for Future Use)</p>	

V. SWITCHED ACCESS (Continued)

<p>(8) NXX Translation Nonrecurring Charge</p> <p>The NXX Translation Nonrecurring Charge, as set forth in <i>V.F.1.b.</i>, shall apply to each 500 NXX code activated or deactivated in a Telephone Company switch capable of performing the customer identification function for 500 SAC Access Service. The total nonrecurring charge per customer order shall be determined by multiplying the number of switches in which the Telephone Company must activate or deactivate the NXX code within the serving area specified by the customer's order times the appropriate nonrecurring charge. Separate nonrecurring charges apply to the activation or deactivation of the first NXX code contained on the customer's ASR and to the activation or deactivation of each additional NXX code contained on the same ASR. In addition, the Switched Access Ordering Charge, as set forth in <i>V.F.1.</i> will apply per ASR submitted for the activation or deactivation of NXX codes.</p>	
<p>(9) Dedicated Trunk Port Charge</p> <p>The Dedicated Trunk Port charge, as set forth in <i>V.F.2.l.</i>, shall apply for termination of a dedicated trunk at the access tandem or an end office. It is flat-rated and is assessed per voice grade or DS1 channel terminating at an end office or access tandem.</p>	
<p>(10) Shared Trunk Port Charge</p> <p>The Shared Trunk Port, as set forth in <i>V.F.3.e.</i>, provides for the termination of a Tandem-Switched Trunk at an end office. The Shared Trunk Port is usage rated and shall be assessed to all access minutes which utilize Tandem-Switched Transport. The Shared Trunk Port charge does not apply to switched access minutes of use that originate or terminate at MTSOs directly interconnected to a Telephone Company access tandem.</p>	
<p>When the Tandem-Switched Transport is provided by more than one telephone company, the Shared Trunk Port charge shall be billed by the Telephone Company in whose territory the end office is located, as in <i>III.G.3.g.</i></p>	
<p>i. Measuring Access Minutes</p> <p>Customer traffic to end offices will be measured (i.e., recorded or assumed) by the Telephone Company at end offices or Telephone Company access tandems. Originating and terminating calls will be measured (i.e., recorded or assumed) by the Telephone Company to determine the basis for computing chargeable access minutes.</p>	
<p>FGB and FGD access minutes or fractions thereof, are accumulated over the billing period for each office, and are then rounded up to the nearest access minute for each end office. The exact value of the fraction is a function of the switch technology where the measurement is made.</p>	
<p>When measurement capability for FGB is not available, access minutes shall be assumed as described in (3).</p>	

V. SWITCHED ACCESS (Continued)

<p>When usage data is required for a specific end office in an Access Area with multiple end offices, and usage to that office cannot be measured, a portion of total usage will be allocated to the specific end office based upon the portion of subscriber lines served by that end office</p> <p>(1) (Reserved for Future Use)</p>	
<p>(2) FGB Usage Measurement</p> <p>For originating calls over FGB, usage measurement begins when the FGB first point of switching receives the first acknowledgement from the CDL, indicating the customer's equipment has answered.</p>	
<p>The measurement of originating call usage over FGB ends when the FGB first point of switching receives disconnect supervision from either the end office switch, indicating the originating end user has disconnected, or the CDL, whichever is recognized first by the first point of switching.</p>	
<p>For terminating calls over FGB, usage measurement begins when the FGB first point of switching receives answer supervision from the end office switch, indicating the terminating end user has answered.</p>	
<p>The measurement of terminating call usage over FGB ends when the FGB first point of switching receives disconnect supervision from either the end office switch, indicating the terminating end user has disconnected, or the CDL, whichever is recognized first by the first point of switching.</p>	
<p>(3) Usage Measurement Not Available For FGB</p> <p>When originating and/or terminating measurement capability does not exist, the number of access minutes per FGB trunk, per month, will be assumed based on the following:</p> <ul style="list-style-type: none"> - A single monthly surrogate of assumed minutes per two-way line/trunk per month shall apply as in <i>V.F.9.</i> of Northwest Fiber Companies d/b/a ZiPLY Fiber Tariff FCC No 2. For FGB trunks, the terminating assumed usage will be one half of the two-way surrogate and the originating will be one half of the two-way surrogate. 	
<ul style="list-style-type: none"> - When measurement capabilities do not exist for a FGB trunk, a single monthly surrogate of assumed minutes per one way line/trunk per month shall apply as in <i>V.F.9.</i> of ZiPLY Fiber Telephone Companies Tariff FCC No. 2. 	
<ul style="list-style-type: none"> - When measurement capabilities do not exist in one direction for a two-way line (e.g., recording for terminating only) the number of access minutes per line, per month will be the assumed surrogate for a two-way line or the recorded usage for the single direction, whichever is greater. 	

V. SWITCHED ACCESS (Continued)

<p>- In the event of measurement equipment failure, minutes of use will be determined as follows:</p> <p>For the initial month of service, FGD minutes will be assumed as indicated above unless actual usage recorded prior to the failure is greater than the assumed usage.</p>	
<p>For subsequent months, the greater of 1.) actual usage recorded prior to the failure, or 2.) the average of the three (3) month current months' usage (or less if three (3) months are not available) will be used.</p>	
<p>(4) (Reserved for Future Use)</p>	
<p>(5) FGD Usage Measurement</p> <p>For originating calls over FGD with multifrequency (MF) signaling, usage measurement begins when the FGD first point of switching receives the first wink supervisory signal forwarded from the CDL.</p>	
<p>The measurement of originating call usage over FGD with MF signaling ends when the FGD first point of switching receives disconnect supervision from either the end office switch, indicating the originating end user has disconnected, or the CDL, whichever is recognized first by the first point of switching.</p>	
<p>For terminating calls over FGD with MF, usage measurement begins when the FGD first point of switching receives answer supervision from the end office switch, indicating the terminating end user has answered.</p>	
<p>The measurement of terminating call usage over FGD with MF signaling ends when the FGD first point of switching receives disconnect supervision from either the end office switch, indicating the terminating end user has disconnected, or the CDL, whichever is recognized first by the first point of switching.</p>	
<p>(6) SAC Access Service Usage Measurement</p> <p>SAC Access Service usage measurement shall be in accordance with the regulations set forth for FGD. For usage originating from end offices equipped with equal access capabilities, access minutes shall be measured in the same manner in which FGD access minutes are measured.</p>	
<p>j. FGD Switched Access Service With 950-XXXX</p> <p>When a customer orders FGD Switched Access Service with 950-XXXX Access, as described in <i>V.B.5.t.</i>, to be included with the installation of new FGD switched access facilities, appropriate Switched Access Installation Charges and Switched Access Ordering Charges will apply for the installation of the new FGD switched access facilities.</p>	
<p>When a customer orders FGD Switched Access Service with 950-XXXX Access to be added to an existing FGD switched access service, only the Switched Access Ordering Charge and the Design Change Charge will apply for the addition of this optional end office service arrangement.</p>	

V. SWITCHED ACCESS (Continued)

3. <i>(Reserved for Future Use)</i>	
4. <i>(Reserved for Future Use)</i>	
5. <i>(Reserved for Future Use)</i>	
6. <i>(Reserved for Future Use)</i>	
7. <i>(Reserved for Future Use)</i>	
8. <i>(Reserved for Future Use)</i>	
<p>9. <i>Shared Use Analog and Digital High Capacity Services</i></p> <p>Monthly charges for a DS1 or DS3 high capacity shared used facility will be apportioned between Switched and Special Access based on the relative proportion of channels used for switched and special access in the following manner.</p>	
<p>If the facility is ordered as Special Access, rating as Special Access will continue until such time as a portion of the available capacity is used to provide Switched Access service. As individual channels are activated for Switched Access, monthly charges will be apportioned between Switched and Special Access based on the number of channels used for Switched Access and the number of remaining channels on the Special Access facility according to the following formula:</p> <ul style="list-style-type: none"> - The total shared use charge is equal to the Monthly Switched Access Charge times the number of channels used for Switched Access divided by twenty-four (24) for DS1 or 672 for DS3 plus the monthly Special Access Charge times the number of channels remaining for Special Access divided by twenty-four (24) for DS1 or 672 for DS3. 	
<p>If the facility is ordered as Switched Access, rating as Switched Access will continue until such time as a portion of the available capacity is used to provide Special Access service. As individual channels are activated for Special Access, monthly charges will be apportioned between Switched and Special Access based on the number of channels used for Special Access and the number of remaining channels on the Switched Access Facility according to the following formula:</p> <ul style="list-style-type: none"> - The total shared use charge is equal to the Monthly Special Access Charge times the number of channels used for Special Access divided by twenty-four (24) for DS1 or 672 for DS3 plus the monthly Switched Access Charge times the number of channels remaining for Switched Access divided by twenty-four (24) for DS1 or 672 for DS3. 	

V. SWITCHED ACCESS (Continued)

<p>The monthly Switched and Special Access rate used will be the appropriate rate (Special Access SAL, Transport, Multiplexer and Switched Access Entrance Facility, Direct-Trunked Transport and Multiplexer) for the underlying shared use facility. Customers will be permitted to subscribe to term commitments that differ between Switched and Special Access services on shared use facilities. Upon expiration of the term commitment for Switched or Special Access services, the Telephone Company will continue to bill the customer as described in V.E.8.. If the customer chooses to discontinue service at the expiration of a term commitment period, billing will be based on the facility charges for the remaining service. Discontinuance prior to the expiration of term commitment periods will be subject to charges described in V.E.6., V.E.7. and V.E.8..</p>		
<p>F. <u>Rate and Charge Regulations</u></p>		
<p>1. <i>Nonrecurring Charges</i></p>		
<p>a. Switched Access Service Ordering Charges</p>		
	<u>Switched Access Ordering Charge</u>	<u>Design Change Charge</u>
<u>Jurisdiction</u>	<u>Per ASR</u>	<u>Per ASR</u>
Washington	100.00	38.04
<p>b. 500NXX Translation Charge</p>		
	<u>First NXX Per ASR/Per End Office</u>	<u>Each Additional NXX Per ASR/Per End Office</u>
<u>Jurisdiction</u>		
Washington	21.00	11.00
<p>c. Network Blocking Charge</p>		
	<u>Applies to FGD, and SAC Access Service</u>	
<u>Jurisdiction</u>	<u>Per Call</u>	
Washington	.016	
<p>d. 0+900 Service</p>		
	<u>Per End Office Nonrecurring Charge</u>	
<u>Jurisdiction</u>		
Washington	300.00	

V. SWITCHED ACCESS (Continued)

2. <i>Switched Transport</i>		
a. Tandem-Switched Transport - Facility		
<u>Jurisdiction</u>	Per Access Minute, per Airline Mile	
Washington	0.0000268	
b. Tandem-Switched Transport - Termination		
<u>Jurisdiction</u>	Per Access Minute, per Termination	
Washington	0.0002223	
c. Tandem-Switched Transport - Switching		
<u>Jurisdiction</u>	Per Access Minute	
Washington	0.0025450	
d. Shared Multiplexing		
<u>Jurisdiction</u>	Shared Multiplexing Per Access Minute	
Washington	0.0000360	
e. (Reserved for Future Use)		
f. Direct-Trunked Transport-Voiceband		
<u>Jurisdiction</u>	Direct-Trunked Transport Facility-Voiceband Per Airline Mile, Per Month	
Washington	5.00	

V. SWITCHED ACCESS (Continued)

g. Direct-Trunked Transport – DS1			
<u>Jurisdiction</u>	<u>Direct-Trunked Transport-Facility – DS1 Per Airline Mile, Per Month</u>	<u>Direct-Trunked Transport-Termination – DS1 Monthly Rate</u>	
Washington			
Zone 1	\$7.39	\$58.68	
Zone 2	7.39	58.68	
Zone 3	7.39	58.68	
h. Direct-Trunked Transport – DS3			
<u>Jurisdiction</u>	<u>Direct-Trunked Transport-Facility – DS3 Per Airline Mile, Per Month</u>	<u>Direct-Trunked Transport-Termination – DS3 Monthly Rate</u>	
Washington			
Zone 1	\$55.61	\$443.97	
Zone 2	55.61	443.97	
Zone 3	55.61	443.97	
i. Direct-Trunked Port			
<u>Jurisdiction</u>	<u>End Office Dedicated Trunk Port Voiceband Monthly Rate, Per Channel</u>	<u>End Office Dedicated Trunk Port DS1 Monthly Rate, Per Channel</u>	
Washington	6.00	6.00	
<u>Jurisdiction</u>	<u>Access Tandem Dedicated Trunk Port Voiceband Monthly Rate, Per Channel</u>	<u>Access Tandem Dedicated Trunk Port DS1 Monthly Rate, Per Channel</u>	
Washington	4.67	4.67	
j. Entrance Facility – 2-Wire and 4-Wire Voiceband			
<u>Jurisdiction</u>	<u>Service Installation Charge Per Entrance Facility</u>	<u>Entrance Facility - 2-Wire Voiceband Monthly Rate</u>	<u>Entrance Facility - 4-Wire Voiceband Monthly Rate</u>
Washington	99.00	51.35	51.35

V. SWITCHED ACCESS (Continued)

k. Entrance Facility – DS1				
<u>Jurisdiction</u>	<u>Service Installation Charge Per Entrance Facility</u>		<u>Monthly Rate</u>	
Washington				
Zone 1	\$313.25		\$84.80	
Zone 2	313.25		92.18	
Zone 3	313.25		99.55	
l. Entrance Facility, per DS3				
	<u>Entrance Facility – DS3 Electrical Interface</u>		<u>Entrance Facility – DS3 Optical Interface</u>	
<u>Jurisdiction</u>	<u>Installation Charge</u>	<u>Monthly Rate</u>	<u>Service Installation</u>	<u>Monthly Rate</u>
Washington				
Zone 1	\$313.25	\$1,083.53	\$313.25	\$619.68
Zone 2	313.25	1,083.53	313.25	619.68
Zone 3	313.25	1,083.53	313.25	619.68
m. Multiplexing				
	<u>DS1 to Voice</u>		<u>DS3 to DS1</u>	
<u>Jurisdiction</u>	<u>Service Installation Charge</u>	<u>Monthly Rate</u>	<u>Service Installation Charge</u>	<u>Monthly Rate</u>
Washington				
Zone 1	\$75.00	\$199.98	\$200.00	\$252.37
Zone 2	75.00	199.98	200.00	252.37
Zone 3	75.00	199.98	200.00	252.37
3. <i>End Office Services</i>				
a. Premium 800/866/877/888 Data Base				
<u>Jurisdiction</u>			<u>Query Charge Rate Per Query</u>	
Washington			0.0040530	

V. SWITCHED ACCESS (Continued)

b. End Office Switching		
The bundled rates for End Office Switching are based on originating and terminating Access Minutes.		
<u>Jurisdiction</u>	<u>Per Access Minute</u>	
Washington	.0019740	
c. (Reserved for Future Use)		
d. (Reserved for Future Use)		
e. Shared Trunk Port		
<u>Jurisdiction</u>	<u>Per Access Minute</u>	
Washington	.0007470	
4. (Reserved for Future Use)		
5. (Reserved for Future Use)		
6. (Reserved for Future Use)		
7. (Reserved for Future Use)		
8. (Reserved for Future Use)		
9. (Reserved for Future Use)		
10. (Reserved for Future Use)		
11. (Reserved for Future Use)		

V. SWITCHED ACCESS (Continued)

<i>12. Carrier Identification Parameter (CIP)</i>		
<u>Jurisdiction</u>	Non-Recurring Charge-Per CIC, Per End Office Direct Trunk Group	Monthly Recurring Charges Per Trunk
Washington	80.00	.46
<u>Jurisdiction</u>	Non-Recurring Charge-Per CIC, Per Tandem Direct Trunk Group	Monthly Recurring Charges Per Trunk
Washington	\$1,200.00	.46

VI. (RESERVED FOR FUTURE USE)

--	--

VII. MISCELLENEOUS SERVICES

<p>A. <u>General</u></p> <p>Miscellaneous Services available to the customer include the following:</p> <ol style="list-style-type: none"> 1. <i>Additional Labor (i.e., Overtime Installation, Overtime Repair, Additional Installation Testing, Standby, Testing and Maintenance with Other Telephone Companies)</i> 	
<ol style="list-style-type: none"> 2. <i>Maintenance of Service</i> 	
<ol style="list-style-type: none"> 3. <i>(Reserved for Future Use)</i> 	
<ol style="list-style-type: none"> 4. <i>(Reserved for Future Use)</i> 	
<ol style="list-style-type: none"> 5. <i>Additional Testing</i> 	
<p>These services are described in detail as set forth in <i>VII.B.</i> through <i>VII.F.</i> following.</p>	
<p>B. <u>Additional Labor</u></p>	
<p>Additional Labor is that labor requested by the customer on a given CIA and agreed to the Telephone Company as set forth in 1. through 6. following. The Telephone Company will notify the customer that Additional Labor charges as set forth in 7. following will apply before any Additional Labor is undertaken. Additional Labor charges will also apply if the requirement for the Additional Labor is the fault of the customer or parties on whose behalf it acts.</p>	
<ol style="list-style-type: none"> 1. <i>Overtime Installation (USOC – ALH)</i> <p>Overtime installation is that Telephone Company installation effort outside the business day. Overtime rates will apply anytime outside the business day and all day Saturday. Premium time rates will apply all day Sunday and on all Telephone Company approved holidays. For applicable holidays contact Issuing Carrier identified on Section <i>I.</i>, Sheet 1.</p>	
<ol style="list-style-type: none"> 2. <i>Overtime Repair (USOC - ALH)</i> <p>Overtime repair is Telephone Company repair which could have been performed during the normal business day, but that is delayed at the specific request of the customer to a later time period which is outside the normal business day or to a weekend day or holiday. The request will result in the application of overtime rates anytime outside the business day and all day Saturday. Premium time rates will apply on Sunday and Telephone Company approved holidays. These rates, as set forth in Section <i>VII.B.</i> of Zply Fiber Telephone Companies Tariff FCC No. 2 will only apply when there is a delay of repair at the request of the customer to the time periods stated above.</p>	

VII MISCELLANEOUS SERVICES (Continued)

<p>3. <i>Additional Installation Testing (USOC – ALH)</i></p> <p>Additional installation testing is that testing performed by the Telephone Company at the time of installation, which is in addition to normal pre-service and acceptance testing.</p>	
<p>4. <i>Standby (USOC – ALT)</i></p> <p>Standby includes all time in excess of one-half (1/2) hour during which Telephone Company personnel are available to make coordinated tests on a given CIA. The standby charge applies only when Telephone Company personnel must wait more than thirty (30) minutes beyond a prearranged, mutually agreed appointment time. Standby charges will cease when testing begins, or when Telephone Company personnel are released from the standby requirement, or when testing is rescheduled for a later date or time. Charges will not be applicable if Telephone Company personnel cause the delay.</p>	
<p>5. <i>Testing and Maintenance with Other Telephone Companies (USOC – ALK)</i></p> <p>Additional testing, maintenance, or repair of facilities which connect to facilities of other telephone companies, which is in addition to normal effort required to test, maintain, or repair facilities provided solely by the Telephone Company.</p>	
<p>6. <i>Other Labor (USOC – ALK)</i></p> <p>Other labor is that additional labor not included in 1. through 5. preceding, and labor incurred to accommodate a specific customer request that involves only labor, which is not covered by any other section of this Tariff.</p>	
<p>7. <i>Charges for Additional Labor</i> are as shown in VII.B.7. of Ziply Fiber Telephone Companies Tariff FCC No. 2.</p>	
<p>C. <u>Maintenance of Service Charge (USOC – MVV)</u></p>	
<p>1. When a customer reports trouble to the Telephone Company for clearance, the customer shall be responsible for payment of a Maintenance of Service Charge when Telephone Company personnel are dispatched to the customer's location and no trouble is found in the Telephone Company's facilities. Failure of Telephone Company personnel to find trouble in Telephone Company facilities will result in no charge if the trouble is actually in those facilities, but not discovered at the time.</p>	
<p>In this case, or in 2. following, no credit allowance will be applicable for the interruption involved, unless the trouble is found in the Telephone Company's facilities.</p>	
<p>2. The customer shall be responsible for payment of a Maintenance of Service Charge when the Telephone Company dispatches personnel to the customer's location and the trouble is in equipment or communications systems provided by other than the Telephone Company or in detariffed CPE provided by the Telephone Company.</p>	

VII MISCELLANEOUS SERVICES (Continued)

<p>3. The Maintenance of Service Charge time period will begin when Telephone Company personnel are dispatched. This will only include the actual time required to reach the customer's location and perform an investigation. The time period will end when the investigation is finished. The labor charge as set forth in ZiPLY Fiber Telephone Companies Tariff FCC No. 2, VII.B.7., will apply to Maintenance of Service at the appropriate Basic, Overtime or Premium rate. These charges apply whether the trouble is in the equipment of communications systems provided by other than the Telephone Company, or in detariffed CPE provided by the Telephone Company.</p>	
<p>D. <u>(Reserved for Future Use)</u></p>	
<p>E. <u>(Reserved for Future Use)</u></p>	
<p>F. <u>Additional Testing</u></p> <p>The Telephone Company will perform acceptance testing as specified in V.B.7. preceding to insure that CIA ordered by the customer are functioning properly, prior to turning over such CIA to the customer. In addition, the Telephone Company will perform ongoing tests as specified in V.B.1. and V.B.2. preceding to assure the continued satisfactory performance of Switched Access Services ordered by the customer.</p>	
<p>Testing offered under this section of the tariff is in addition to those tests described above and will be provided, when requested by the customer, at an additional charge.</p>	
<p>Testing is provided by Telephone Company personnel at Telephone Company locations. However, provisions are made in VII.F.1.e. and VII.F.2.b. following, to allow a customer to request Telephone Company personnel to perform testing at the customer designated location or the end user premises.</p>	
<p>Additional testing is provided on a scheduled or nonscheduled basis. Scheduled testing shall be performed on a predetermined time basis to allow for cost efficient utilization of Telephone Company and customer resources. Scheduled testing should be based on a one year period. Nonscheduled tests are performed by the Telephone Company on a request-by-request basis, not in conjunction with any fixed schedule.</p>	
<p>The offering of testing under this section of the tariff is made subject to the availability of the necessary qualified personnel and test equipment at the various test locations mentioned in 1., 2., and 3. following.</p> <p><i>Switched Access Testing</i></p> <p>Testing for Switched Access is comprised of a.) tests which are performed during the installation of Switched Access (i.e., acceptance tests) and b.) tests which are performed after acceptance of such Switched Access by a customer (i.e., in-service tests).</p>	
<p>These tests are performed on a scheduled or nonscheduled basis, and may be conducted on an automatic, cooperative, or manual basis, as defined in 1., 2., 3., 4., and 5. following.</p>	

VII MISCELLANEOUS SERVICES (Continued)

<p>1. <i>Additional Cooperative Acceptance Testing (USOC - UBCXT; UBCOT; UBCPT)</i></p> <p>Additional Cooperative Acceptance Testing (ACAT) of Switched Access involves the Telephone Company provision of a technician at its office(s) and the customer provision of a technician at its CDL, with suitable test equipment to perform the required tests.</p>	
<p>Additional Cooperative Acceptance Testing may apply when the customer requests additional tests not specified in <i>V.B.7.</i>. The labor charges, as set forth in ZiPLY Fiber Telephone Companies Tariff FCC No. 2, <i>VII.B.7.</i>, will apply to Additional Cooperative Acceptance Testing at the appropriate Basic, Overtime, or Premium rate.</p>	
<p>2. <i>Automatic Scheduled Testing (USOC - UBGXT)</i></p> <p>Automatic Scheduled Testing (AST) of FGB, FGC, FGD and SAC Access Service, is provided, as specified in <i>V.B.1.</i> and <i>V.B.2.</i>, where the customer provides remote office test lines and 105 test lines with associated responders or their functional equivalent. AST charges will apply when such testing is requested on a more frequent basis than is provided for in accordance with the Telephone Company's Central Office Maintenance Planning System (COMPS). The customer may specify a more frequent schedule of tests at least sixty days prior to the start of the prescribed schedule. Trunks from a Telephone Company digital switch, to a customer digital switch, utilizing digital facilities, are excluded from mandatory routine testing. The rates, as set forth in ZiPLY Fiber Telephone Companies Tariff FCC No. 2, <i>VII.F.c.1.</i>, will apply to additional AST.</p>	
<p>The Telephone Company will provide a monthly AST report that lists the trunks within each Central Office access group that failed to meet established requirements. Trunk test failures requiring customer participation for trouble resolution will be provided to the customer on an as-occurs basis. A monthly report that lists the test results will be provided to the customer.</p>	
<p>3. <i>Automatic Cooperative Scheduled Testing (USOC – UBSXT; UBSXD)</i></p> <p>Additional Cooperative Scheduled Testing (ACST) of FGA, FGB, FGC, FGD and SAC Access Service occurs when the Telephone Company provides a technician at its office(s) and the customer provides a technician at its customer designated location, with suitable test equipment to perform the required tests. ACST charges will apply when loss/noise/balance testing or gain-slope testing is requested on a more frequent basis than is provided for in accordance with the Telephone Company's Central Office Maintenance Planning System (COMPS). ACST charges also apply when additional tests are requested for FGA, FGB, FGC, FGD and SAC Access Service that are not specified in <i>V.B.1.</i> and <i>V.B.2.</i>, respectively. The customer may specify a more frequent schedule of tests sixty days prior to the start of the prescribed schedule. The rates, as set forth in ZiPLY Fiber Telephone Companies Tariff FCC No. 2, <i>VII.F.3.b.</i>, will apply for additional ACST.</p>	

VII MISCELLANEOUS SERVICES (Continued)

<p>The Telephone Company will provide, on a quarterly basis, an ACST report that lists the test results and the number of trunks that passed or failed. Trunk test failures requiring customer participation for trouble resolution will be provided to the customer on an as-occurs basis.</p>	
<p>4. Additional Manual Scheduled Testing (USOC – UBMXT; UBMXD)</p> <p>Additional Manual Scheduled Testing (AMST) of FGA, FGB, FGC, FGD or SAC Access Service occurs when the Telephone Company provides a technician at its office(s) and at the customer designated location. AMST charges will apply when loss/noise/balance testing or gain-slope testing is requested on a more frequent basis than is provided for in accordance with the Telephone Company's Central Office Maintenance Planning System (COMPS). AMST charges also apply when additional tests are requested for FGA, FGB, FGC, FGD or SAC Access Service that are not specified in <i>V.B.1.</i> and <i>V.B.2.</i>, respectively. The customer may specify a more frequent schedule of tests sixty days prior to the start of the prescribed schedule. The rates as set forth in Ziply Fiber Telephone Companies Tariff FCC No. 2, <i>VII.F.3.c.</i> will apply to additional AMST.</p>	
<p>The Telephone Company will provide, on a quarterly basis, an AMST report that lists the test results and the number of trunks that passed or failed. Trunk test failures requiring customer participation for trouble resolution will be provided to the customer on an as-occurs basis.</p>	
<p>5. Nonscheduled Testing</p> <p>Nonscheduled Testing (NST) will be performed "on demand" which results in the measurement of Switched Access. NST charges will apply only when testing is requested more frequently than is provided for in accordance with COMPS, or when a specific test is requested that is not normally performed. Tests for Switched Access, which are normally performed, are contained in <i>V.B.1.</i> and <i>V.B.2.</i> Nonscheduled Testing (NST) of Switched Access may consist of the following testing arrangements:</p> <ul style="list-style-type: none"> - the customer provides remote office test lines and 105 test lines with associated responders or their functional equivalent (automatic testing), or (USOC - USCXT) 	
<ul style="list-style-type: none"> - the Telephone Company provides a technician at its office(s) and the customer provides a technician at its customer designated location with suitable test equipment to perform the required tests (cooperative testing), or (USOC - USSXT; USSOT; USSPT) 	
<ul style="list-style-type: none"> - the Telephone Company provides a technician at its office(s), and at the customer designated location or end user premises with suitable test equipment to perform the required tests (manual testing). (USOC - USMXT; USMOT; USMPT) 	
<p>Nonscheduled Tests may consist of any tests which the customer may require. The rates as set forth in Ziply Fiber Telephone Companies Tariff FCC No. 2, <i>VII.F.3.a.</i>, will apply to Nonscheduled Automatic Testing. The labor charges as set forth in <i>VII.B.7.</i> preceding will apply to Nonscheduled Cooperative and Manual CIA Testing at the appropriate Basic, Overtime, or Premium rate.</p>	

VII. MISCELLENEOUS SERVICES

<p>If nonscheduled tests are required and trouble is found in the Telephone Company facilities, charges for testing the Telephone Company facilities will not apply. If, however, trouble is found in the customer equipment, charges as set forth in ZiPLY Fiber Telephone Companies Tariff FCC No. 2, VII.F.3.a., and labor charges, as set forth in ZiPLY Fiber Telephone Companies Tariff FCC No. 5, VII.B.7., are applicable.</p>	<p>(T)</p>
<p>6. <i>Obligations of the Customer</i></p> <p>a. The customer shall provide the Remote Office Test Line priming data to the Telephone Company, as appropriate, to support AST as set forth in VII.F.1.b. preceding or NST as set forth in VII.F.1.e. preceding.</p>	
<p>b. The customer shall make the facilities to be tested available to the Telephone Company at times mutually agreed upon.</p>	

TRANSMITTAL NO. 8

VIII. (RESERVED FOR FUTURE USE)

--	--

IX. (RESERVED FOR FUTURE USE)

--	--

X. (RESERVED FOR FUTURE USE)

--	--

XI. SPECIAL CONSTRUCTION

<p>A. <u>General</u></p> <p>This section contains the regulations, rates and charges applicable for Special Construction of Telephone Company facilities, which are used to provide CIA offered under this tariff.</p>	
<p>When Special Construction of CIA is required, the provisions of this section apply in addition to regulations, rates and charges set forth in other sections of this tariff.</p>	
<p>1. <i>Conditions Requiring Special Construction</i></p> <p>Special Construction is required when facilities are not available to meet a customer's ASR and one or more of the following conditions exist:</p> <ul style="list-style-type: none"> - The Telephone Company has no other requirement for the facilities constructed at the customer's request; 	
<ul style="list-style-type: none"> - The customer requests that CIA be furnished using a type of facility, or via a route, other otherwise utilize in furnishing the requested CIA; 	
<ul style="list-style-type: none"> - The customer requests the construction of more facilities than is required to satisfy its ASR; 	
<ul style="list-style-type: none"> - The customer requests construction be expedited resulting in added cost to the Telephone Company; 	
<ul style="list-style-type: none"> - The customer requests that temporary facilities be constructed until permanent facilities are available. 	
<p>2. <i>Filing of Charges</i></p> <p>Charges and liabilities for Special Construction will be filed in <i>XI.D.</i>, <i>XI.E.</i> and <i>XI.F.</i> following.</p>	
<p>When Special Construction is required under conditions that preclude the filing of charges in full accordance with the FCC's Rules and Regulations (e.g., unavailability of cost details, short notice service date):</p> <p>a. After charges have been filed and have become effective they will apply from the date that the Special Construction was provided.</p>	
<p>b. Charges and/or Maximum Termination Liabilities for Special Construction of facilities provided by a Connecting Carrier are developed by the Connecting Carrier and are filed by the Telephone Company in this tariff on its behalf.</p>	
<p>c. Regulations and charges for Special Construction of facilities provided by Other Participating Carriers are filed in their tariffs.</p>	

XI. SPECIAL CONSTRUCTION (Continued)

<p>3. <i>Ownership of Facilities</i></p> <p>The Telephone Company retains ownership of all specially constructed facilities, except for those facilities constructed by connecting companies or carriers, even though the customer may be required to pay Special Construction charges.</p>	
<p>4. <i>Interval to Provide CIA</i></p> <p>Based on available information and the type of CIA ordered, the Telephone Company will establish a scheduled date for the installation of necessary facilities. The date will be established on an Individual Case Basis and provided to the customer. The Telephone Company will make every reasonable effort to assure that the date is met. However, circumstances beyond the Telephone Company's control (e.g., backorder of components) may force a reschedule, and a new completion date will be established with the customer when appropriate.</p>	
<p>5. <i>Special Construction Involving Interstate and Intrastate CIA</i></p> <p>When Special Construction involves facilities used to provide both interstate and intrastate CIA, charges for the portion of the construction used to provide interstate CIA shall be in accordance with this tariff. Charges for the portion of the construction used to provide intrastate CIA shall be in accordance with the appropriate Telephone Company state tariff providing Facilities for Intrastate Access.</p>	
<p>B. <u>Liabilities, Charges and Payments</u></p>	
<p>1. <i>General</i></p> <p>This section describes the various charges and liabilities that apply when the Telephone Company provides Special Construction of CIA, as outlined in <i>XI.A.1.</i> preceding, in accordance with a customer's specific request. Once the customer is notified of all charges and liabilities, the customer must provide the Telephone Company with written approval prior to the start of construction. If more than one condition requiring Special Construction is involved, charges for each condition apply (see Conditions Requiring Special Construction, <i>XI.A.1.</i> preceding).</p>	
<p>2. <i>Payment of Charges</i></p> <p>Payment is due upon presentation of a bill for the specially constructed facilities.</p>	
<p>3. <i>Start/End of Billing</i></p> <p>Billing of recurring charges for specially constructed CIA starts on the day after the CIA are provided. Billing accrues through and includes the day that the specially constructed CIA is discontinued. Monthly charges will be billed one (1) month in advance.</p>	

XI. SPECIAL CONSTRUCTION (Continued)

<p>4. <i>Partial Payments</i></p> <p>The Telephone Company will require a customer which has a proven history of late payments to the Telephone Company, or does not have established credit, to make a partial payment for the portion of the estimated cost of the Special Construction for which the customer is subject to a nonrecurring charge. Partial payments will be requested as costs are incurred and will be credited to the customer's account. Partial payments will not exceed the total nonrecurring charge to the customer for the Special Construction.</p>	
<p>5. <i>Development of Liabilities and Charges</i></p> <p>The customer has the option of accepting the liabilities and charges based on estimated or actual costs. Estimated costs will be used unless the customer notifies the Telephone Company of the selection of the actual cost option in writing prior to the start of Special Construction.</p>	
<p>Under the estimated cost option, Special Construction liabilities and charges are developed based on estimated costs and will be filed in this tariff.</p>	
<p>Under the actual cost option, if all actual costs are not available prior to the in-service date of the CIA, estimated Special Construction charges will be filed in this tariff. As soon as the actual costs, including costs of maintaining and filing these costs, are subsequently determined, the estimated charges will be adjusted to reflect the actual costs. The filed charges will then reflect actual costs existing at the time the FIA are provided.</p>	
<p>6. <i>Type of Contingent Liability</i></p> <p>Depending on the specifics associated with each individual case the following Maximum Termination Liability may be applicable for Special Construction.</p> <p>a. Maximum Termination Liability (USOC – MLY)</p> <p>A MTL has two (2) components, an amount and a specified period of time.</p>	
<p>The amount is equal to all nonrecoverable costs less the net salvage value (e.g., depreciation, return, income tax associated with the specially constructed facilities). The amount will be amortized over the average account life of the specially constructed facilities. The standard liability period is the average account life of the Specially Constructed facilities expressed in years.</p>	
<p>At the customer's option, an optional liability period shorter than the average account life may be established. If the customer chooses an optional liability period, the MTL amortization schedule will not change. The remaining MTL amount for the period between the expiration of the optional liability period and the expiration of the amortization schedule will be due as a lump sum payment (LS) at the time the optional liability period expires unless the case of Special Construction is extended.</p>	

XI. SPECIAL CONSTRUCTION (Continued)

<p>Prior to the expiration of an optional liability period the customer has the option to <i>a.</i> extend the use of the specially constructed CIA establishing a new liability period, or <i>b.</i> terminate the case of Special Construction and pay the lump sum payment.</p>	
<p>The Telephone Company will notify the customer six (6) months in advance of the expiration date of the optional liability period. The customer must provide the Telephone Company with written notification of its intentions to be received one month prior to expiration of the optional liability period. Failure to do so, and payment of the next month's charges, will result in extension of the case of the Special Construction and the establishment of a new liability period equal to the remaining amortization period. A Case Preparation Charge will always apply if the Special Construction case is extended.</p>	
<p>The MTL and the liability period applicable to specific cases of Special Construction are as set forth in <i>XI.D.</i> and <i>XI.E.</i> following.</p>	
<p>b. Reduction on Maximum Termination Liability</p> <p>The time frames for MTL for Special Construction are expressed by an effective date and an expiration date. The MTL will be reduced for each month the Special Construction CIA is in service. For example, if the MTL period is ten (10) years, for each month in service the MTL would be reduced 1/120th.</p>	
<p>7. Types of Charges</p> <p>Two categories of charges may be applicable for Special Construction. These charges are nonrecurring charges and recurring charges. These categories are described below.</p> <p>a. Nonrecurring Charges</p> <p>One or more of the following nonrecurring charges may apply for each case of Special Construction: case preparation, termination, cancellation, expediting the construction, or optional payment charges.</p> <p>(1) Case Preparation Charge (USOC – QPA)</p> <p>The charge for case preparation includes the administrative expense associated with preparing and listing the charges in the tariff. This expense includes such items as: 1.) tariff preparation and processing and 2.) gross receipts and surcharge taxes.</p>	
<p>(2) Termination Charge (USOC - MLY)</p> <p>A Termination Charge applies when, at the customer's request, CIA provided on specially constructed facilities which have a tariffed Maximum Termination Liability are discontinued prior to the expiration of the liability period.</p>	

XI. SPECIAL CONSTRUCTION (Continued)

<p>The charge reflects the unamortized portion of the nonrecoverable cost at the time of termination of the specially constructed CIA adjusted for tax effects, for net salvage and for possible reuse. Administrative costs associated with the specific case of Special Construction and any cost for restoring a location to its original condition are also included. Termination Charges will never exceed the MTL.</p>	
<p>(3) Cancellation Charge</p> <p>If the customer cancels an ASR with which Special Construction is associated prior to the in-service date of the CIA, a Cancellation Charge will apply. The charge will include all nonrecoverable costs less the net salvage value incurred by the Telephone Company up to and including the time of cancellation.</p>	
<p>(4) Expediting Charge</p> <p>An Expediting Charge applies when a customer requests that Special Construction be completed on an expedited basis. The charge is equal to the difference in the estimated cost of construction on an expedited basis and construction without expediting.</p>	
<p>(5) Optional Payment Charge (USOC – FPAPP)</p> <p>The customer may elect to pay an Optional Payment Charge when it requests Special Construction of facilities utilizing 1.) a type of facilities or 2.) a route other than that which the Telephone Company would otherwise utilize in furnishing the requested service. Payment of this charge will result in a lower recurring charge for the Special Construction. This election must be made in writing, before Special Construction starts.</p>	
<p>If this election is coupled with the actual cost option, the Optional Payment Charge will reflect the actual cost of the specially constructed facilities.</p> <p>(a) Development of Optional Payment Charge</p> <p>This charge is equal to the excess installed cost or the total nonrecoverable cost, whichever is less (based on estimated or actual costs as elected by the customer).</p>	

XI. SPECIAL CONSTRUCTION (Continued)

<p>Example 1:</p> <table> <tr> <td>Total Installed Cost</td> <td>\$30,000</td> </tr> <tr> <td>Nonrecoverable</td> <td>20,000</td> </tr> <tr> <td>Normal Installed Cost</td> <td>17,000</td> </tr> <tr> <td colspan="2"> </td> </tr> <tr> <td>Total Installed Cost</td> <td>\$30,000</td> </tr> <tr> <td>Minus Normal Installed Cost</td> <td>17,000</td> </tr> <tr> <td>Equals Excess Installed Cost</td> <td>13,000</td> </tr> <tr> <td>Optional Payment Charge</td> <td>13,000</td> </tr> <tr> <td colspan="2"> </td> </tr> <tr> <td>Nonrecoverable Cost</td> <td>\$20,000</td> </tr> <tr> <td>Minus Optional Payment Charge</td> <td>13,000</td> </tr> <tr> <td>Equals Investment for MTL</td> <td></td> </tr> <tr> <td>Computation</td> <td>7,000</td> </tr> <tr> <td>Remaining Recoverable</td> <td></td> </tr> <tr> <td>Excess Installed Cost</td> <td>\$0</td> </tr> </table>		Total Installed Cost	\$30,000	Nonrecoverable	20,000	Normal Installed Cost	17,000			Total Installed Cost	\$30,000	Minus Normal Installed Cost	17,000	Equals Excess Installed Cost	13,000	Optional Payment Charge	13,000			Nonrecoverable Cost	\$20,000	Minus Optional Payment Charge	13,000	Equals Investment for MTL		Computation	7,000	Remaining Recoverable		Excess Installed Cost	\$0	
Total Installed Cost	\$30,000																															
Nonrecoverable	20,000																															
Normal Installed Cost	17,000																															
Total Installed Cost	\$30,000																															
Minus Normal Installed Cost	17,000																															
Equals Excess Installed Cost	13,000																															
Optional Payment Charge	13,000																															
Nonrecoverable Cost	\$20,000																															
Minus Optional Payment Charge	13,000																															
Equals Investment for MTL																																
Computation	7,000																															
Remaining Recoverable																																
Excess Installed Cost	\$0																															
<p>Since the total installed cost is \$30,000 and the normal installed cost would have been \$17,000, the nonrecurring charge (optional payment) is limited to the difference (i.e., \$13,000). A Maximum Termination Liability would then be established to protect the remaining nonrecoverable cost of \$7,000, which is the difference between the total nonrecoverable cost (\$20,000) and the nonrecurring charge (\$13,000). The remaining excess installed cost in this example is zero (0). In addition, a recurring charge will be developed as set forth in <i>XI.B.7.b.</i> following.</p>																																
<p>Example 2:</p> <table> <tr> <td>Total Installed Cost</td> <td>\$30,000</td> </tr> <tr> <td>Nonrecoverable Cost</td> <td>10,000</td> </tr> <tr> <td>Normal Installed Cost</td> <td>17,000</td> </tr> <tr> <td colspan="2"> </td> </tr> <tr> <td>Total Installed Cost</td> <td>\$30,000</td> </tr> <tr> <td>Minus Normal Installed Cost</td> <td>17,000</td> </tr> <tr> <td>Equals Excess Installed Cost</td> <td>13,000</td> </tr> <tr> <td>Optional Payment Charge</td> <td>10,000</td> </tr> <tr> <td colspan="2"> </td> </tr> <tr> <td>Nonrecoverable Cost</td> <td>\$10,000</td> </tr> <tr> <td>Minus Optional Payment Charge</td> <td>10,000</td> </tr> <tr> <td>Equals Investment for</td> <td></td> </tr> <tr> <td>MTL Computation</td> <td>0</td> </tr> <tr> <td>Remaining Recoverable</td> <td></td> </tr> <tr> <td>Excess Installed Cost</td> <td>3,000</td> </tr> </table>		Total Installed Cost	\$30,000	Nonrecoverable Cost	10,000	Normal Installed Cost	17,000			Total Installed Cost	\$30,000	Minus Normal Installed Cost	17,000	Equals Excess Installed Cost	13,000	Optional Payment Charge	10,000			Nonrecoverable Cost	\$10,000	Minus Optional Payment Charge	10,000	Equals Investment for		MTL Computation	0	Remaining Recoverable		Excess Installed Cost	3,000	
Total Installed Cost	\$30,000																															
Nonrecoverable Cost	10,000																															
Normal Installed Cost	17,000																															
Total Installed Cost	\$30,000																															
Minus Normal Installed Cost	17,000																															
Equals Excess Installed Cost	13,000																															
Optional Payment Charge	10,000																															
Nonrecoverable Cost	\$10,000																															
Minus Optional Payment Charge	10,000																															
Equals Investment for																																
MTL Computation	0																															
Remaining Recoverable																																
Excess Installed Cost	3,000																															
<p>The Optional Payment Charge is limited to the nonrecoverable cost. In this example the Optional Payment Charge equals the nonrecoverable cost. Therefore, there is no Maximum Termination Liability. In addition, a recurring charge will be developed as set forth in <i>XI.B.7.b.</i> following.</p>																																

XI. SPECIAL CONSTRUCTION (Continued)

<p>(b) Replacement Charge (GSEC) NESCR</p> <p>If any portion of the specially constructed CIA, for which an Optional Payment Charge has been paid, requires replacement involving capital investment, a charge for replacement will apply. This charge will be in the same ratio as the initial Optional Payment Charge was to the installed cost of the specially constructed CIA. The customer will be notified in writing that the replacement is required. Replacement will not be made without the customer's ASR. If any portion of the CIA subject to the replacement charge fails, the CIA will not be restored until the customer orders the replacement).</p>													
<p>Example:</p> <table style="margin-left: auto; margin-right: auto;"> <tr> <td style="padding-right: 20px;">Original Total Installed Cost</td> <td style="text-align: right;">\$30,000</td> </tr> <tr> <td>Original Optional Payment Charge</td> <td style="text-align: right;">\$15,000</td> </tr> <tr> <td>Subsequent Cost of Replacement</td> <td style="text-align: right;">\$ 2,000</td> </tr> <tr> <td colspan="2" style="padding: 10px 0 10px 40px;"> $\frac{\text{Original Optional Payment Charge} \times \text{Replacement Costs}}{\text{Total Installed Cost}}$ </td> </tr> <tr> <td colspan="2" style="padding: 10px 0 10px 40px;"> $\frac{\\$15,000 \times \\$2,000}{\\$30,000} = \\$1,000$ </td> </tr> <tr> <td style="padding-right: 20px;">Replacement Charge</td> <td style="text-align: right;">\$ 1,000</td> </tr> </table>	Original Total Installed Cost	\$30,000	Original Optional Payment Charge	\$15,000	Subsequent Cost of Replacement	\$ 2,000	$\frac{\text{Original Optional Payment Charge} \times \text{Replacement Costs}}{\text{Total Installed Cost}}$		$\frac{\$15,000 \times \$2,000}{\$30,000} = \$1,000$		Replacement Charge	\$ 1,000	
Original Total Installed Cost	\$30,000												
Original Optional Payment Charge	\$15,000												
Subsequent Cost of Replacement	\$ 2,000												
$\frac{\text{Original Optional Payment Charge} \times \text{Replacement Costs}}{\text{Total Installed Cost}}$													
$\frac{\$15,000 \times \$2,000}{\$30,000} = \$1,000$													
Replacement Charge	\$ 1,000												
<p>b. Recurring Charges</p> <p>(1) General</p> <p>(a) These charges apply on a monthly or annual basis for specially constructed CIA. There are three conditions for which recurring charges apply:</p> <ul style="list-style-type: none"> - When a customer requests the construction of more facilities than are necessary to provide the CIA currently ordered 													
<ul style="list-style-type: none"> - When a customer requests a facility route or type other than that which the Telephone Company would utilize to provide CIA. 													
<ul style="list-style-type: none"> - When a customer's request results in the Telephone Company leasing transmission or other equipment from private vendors to provide CIA (Lease Charge). 													
<p>(b) In some cases, the customer may request that the Special Construction nonrecurring charge be amortized over the life of the Special Construction contract. In such cases, the Telephone Company will note the expiration of the recurring charge.</p>													

XI. SPECIAL CONSTRUCTION (Continued)

<p>(2) Excess Capacity Charge</p> <p>An Excess Capacity Charge applies when the customer requests more facilities be constructed than are required to satisfy the customer's ASR. The charge is based on the estimated cost difference between the facilities constructed at the customer's request and the facilities actually required to meet the customer's ASR.</p>											
<p>Example:</p> <p>A customer has an immediate CIA requirement which would require a 100 pair cable but requests the installation of a 300 pair cable to allow for growth.</p> <table style="margin-left: 40px;"> <tr> <td>Total Installed Cost (300 Pair)</td> <td style="text-align: right;">\$2,500</td> </tr> <tr> <td>Estimated Annual Cost</td> <td style="text-align: right;">\$920</td> </tr> <tr> <td>Estimated Installed Cost (100 Pair)</td> <td style="text-align: right;">\$1,000</td> </tr> <tr> <td>Estimated Annual Cost</td> <td style="text-align: right;">\$368</td> </tr> <tr> <td colspan="2">Excess Recurring Charge: Annually \$920 - \$368 = \$552</td> </tr> </table> <p style="margin-left: 40px;">Monthly $\frac{\\$552}{12} = \\46</p>	Total Installed Cost (300 Pair)	\$2,500	Estimated Annual Cost	\$920	Estimated Installed Cost (100 Pair)	\$1,000	Estimated Annual Cost	\$368	Excess Recurring Charge: Annually \$920 - \$368 = \$552		
Total Installed Cost (300 Pair)	\$2,500										
Estimated Annual Cost	\$920										
Estimated Installed Cost (100 Pair)	\$1,000										
Estimated Annual Cost	\$368										
Excess Recurring Charge: Annually \$920 - \$368 = \$552											
<p>This charge applies until such time as the customer orders sufficient CIA to necessitate use of a larger size cable (e.g., 200 pair cable). At that time the recurring charge is adjusted as indicated in the following example:</p> <table style="margin-left: 40px;"> <tr> <td>Total Installed Cost (300 Pair)</td> <td style="text-align: right;">\$2,500</td> </tr> <tr> <td>Estimated Annual Cost</td> <td style="text-align: right;">\$920</td> </tr> <tr> <td>Estimated Installed Cost (200 Pair)</td> <td style="text-align: right;">\$1,900</td> </tr> <tr> <td>Estimated Annual Cost</td> <td style="text-align: right;">\$683</td> </tr> <tr> <td colspan="2">Excess Recurring Charge: Annually \$920 - \$683 = \$237</td> </tr> </table> <p style="margin-left: 40px;">Monthly $\frac{\\$237}{12} = \\19.75</p>	Total Installed Cost (300 Pair)	\$2,500	Estimated Annual Cost	\$920	Estimated Installed Cost (200 Pair)	\$1,900	Estimated Annual Cost	\$683	Excess Recurring Charge: Annually \$920 - \$683 = \$237		
Total Installed Cost (300 Pair)	\$2,500										
Estimated Annual Cost	\$920										
Estimated Installed Cost (200 Pair)	\$1,900										
Estimated Annual Cost	\$683										
Excess Recurring Charge: Annually \$920 - \$683 = \$237											
<p>The charge is revised in this manner until the number of CIA being provided would require a 300 pair cable, at which time the Excess Capacity Charge is no longer applied. The charge would be reapplied if the number of CIA declined to a level which would not require a 300 pair cable.</p>											
<p>Such charges will continue to apply to all facilities held in abeyance until the period of termination liability expires. If facilities are still held in abeyance after the termination liability expires, a new schedule of rates will be calculated and such rates will apply as long as facilities are held in abeyance for the customer.</p>											

XI. SPECIAL CONSTRUCTION (Continued)

<p>(3) Charge for Route or Type Other Than Normal</p> <p>When the customer requests Special Construction using a route or type of CIA other than that which the Telephone Company would normally use, a recurring charge is applicable. The charge is the difference between the estimated recurring costs of the specially constructed CIA and the estimated recurring costs of the CIA the Telephone Company would normally use. The charge will be no greater than the recurring costs of the specially constructed CIA.</p> <p>(a) If the customer elects to pay an Optional Payment Charge, the portion of the recurring charge for the excess investment covered by the optional payment excludes capital cost items (depreciation, return on investment and Federal income tax on that return). The remaining recurring expense cost items associated with the optional payment (maintenance, administration, and other taxes) are increased by a ten percent (10%) management fee and will be included in the recurring charge.</p>	
<p>The portion of any recurring charge associated with any remaining Special Construction investment will include both capital and expense costs. The ten percent management fee is not applied to this portion of the recurring charge.</p>	

XI. SPECIAL CONSTRUCTION (Continued)

DEVELOPMENT OF CURRING MONTHLY CHARGE FOR OPTIONAL PAYMENTS				
For example 1 see XI.B.7.a.(5)(a)				
	<u>SPECIAL ROUTE OR TYPE OF CIA</u>		<u>NORMAL</u>	
	Optional Payment Nonrecurring Charge For Special Const. <u>CIA</u>	Specially Constructed FIA Less Nonrecurring <u>Charges</u>	<u>Existing Facilities</u>	Normal Route/Type <u>Facilities</u>
	\$13,000	\$17,000		\$17,000
1. Depreciation		1,122		408
2. Federal Income Tax and Return		2,142		2,346
3. Maintenance	1,131	1,479		799
4. Administration	455	595		595
5. Other Taxes	286	37		374
6. Sub Total	1,872			
7. 10% x Line 6	187			
8. Totals	(A) \$2,059	(B) \$5,712	(C)	(D) \$4,522
	A + B =	\$7,771		
	A + B + C =	7,771		
	(A+ B +C) – D =	3,249		
Excess Recurring Charge:	* Annually	<u>\$3,249.00</u>		
	Monthly	<u>\$270.75</u>		
* The lower of (A+B+C)-D, or (A+B)				

XI. SPECIAL CONSTRUCTION (Continued)

For example 2 see XI.B.7.a.(6)(a)				
	<u>SPECIAL ROUTE OR TYPE OF CIA</u>			<u>NORMAL</u>
	Optional Payment Nonrecurring Charge For Special Const. <u>CIA</u>	Specially Constructed FIA Less Nonrecurring <u>Charges</u>	Existing Facilities <u>\$17,000</u>	Normal Route/Type Facilities
	\$10,000	\$20,000		
1. Depreciation		1,320		408
2. Federal Income Tax and Return		2,520		2,346
3. Maintenance	870	1,740		799
4. Administration	350	700		595
5. Other Taxes	220	440		374
6. Sub Total	1,440			
7. 10% x Line 6	144			
8. Totals	(A) \$1,584	(B) \$6,720	(C)	(D) \$4,522
	A + B = \$8,304			
	A + B + C = 8,304			
	(A+ B +C) – D = 3,782			
Excess Recurring Charge:	* Annually	<u>\$3,782.00</u>		
	Monthly	<u>\$315.17</u>		
* The lower of (A+B+C)-D, or (A+B)				
(b) If the customer has elected the actual cost option, the recurring charge will be adjusted to reflect the actual cost of the new construction when the cost is determined. This adjusted recurring charge is applicable from the start of CIA.				
(4) Lease Charge				
A Lease Charge applies when the Telephone Company leases equipment (e.g., portable microwave equipment) in order to provide CIA to meet the customer's requirements. The amount of the charge is the net added cost to the Telephone Company caused by the lease.				

XI. SPECIAL CONSTRUCTION (Continued)

<p><i>8. Application of Charges</i></p> <p>The charges for Special Construction are those charges which are in effect for the period that the Special Construction is furnished. If the charges for a period covered by a bill change after the bill has been rendered, the bill will be adjusted to reflect the new charges. Charges are based on Special Construction of 1.) permanent CIA or 2.) temporary CIA.</p> <p>Special Construction of Permanent CIA</p> <p>(1) Special Construction When Not Available and There is No Other Requirement for Them</p> <p>When permanent CIA are not available and the Telephone Company constructs them and there is no other Telephone Company need for the specially constructed CIA, a nonrecurring charge, and a Maximum Termination Liability may be applicable.</p>	
<p>(2) Special Construction Using a Route or Type of CIA Other Than Normal</p> <p>When the specially constructed CIA involve a route or type of CIA other than that which the Telephone Company would ordinarily use, charges are based on the difference between the estimated costs of the specially constructed CIA and those the Telephone Company would ordinarily use. A nonrecurring charge, a recurring charge, and a Maximum Termination Liability may be applicable.</p>	
<p>(3) Special Construction of a Greater Quantity of CIA Than Necessary to Satisfy the Customer's Order for Service</p> <p>When the Telephone Company constructs more CIA than is required to satisfy the customer's ASR, additional charges will apply. These charges may include a nonrecurring charge, a recurring charge, and a Maximum Termination Liability.</p>	
<p>(4) Special Construction of Temporary CIA Order</p> <p>When permanent CIA are not available and temporary CIA are constructed pending the construction of permanent CIA, a nonrecurring charge, and a Maximum Termination Liability may be applicable.</p>	

XI. SPECIAL CONSTRUCTION (Continued)

<p>C. <u>Deferral of the In-Service Date of CIA</u></p> <p>1. <i>General</i></p> <p>The customer may request the Telephone Company to defer the in-service date of CIA on specially constructed CIA subject to the provisions as set forth in <i>IV.B.2.a.</i> preceding. If the deferral is not in compliance with the provisions as set forth in <i>IV.B.2.a.</i>, the Special Construction case is considered to be cancelled and cancellation charges apply. Requests for deferral must be in writing and are subject to the following regulations.</p>	
<p>2. <i>Construction Has not Started</i></p> <p>If the Telephone Company has not incurred any costs (e.g., engineering and/or installation) before receiving the customer's request for deferral, no charge applies other than the Case Preparation Charge. However, the original quotation is subject to Telephone Company review at the time of reinstatement to determine if the original charges are still valid. Any change in liabilities and charges requires the concurrence of the customer in writing. Additional Case Preparation Charges will also apply.</p>	
<p>3. <i>Construction Has Started But Is Not Complete</i></p> <p>If the construction of CIA has started, but has not been completed, before the Telephone Company receives the customer's request for deferral, charges apply. The charges vary depending on whether all or some of the CIA ordered are deferred.</p> <p>a. All CIA Are Deferred</p> <p>When all CIA involving Special Construction are deferred, a charge equal to the costs incurred during each month of the deferral applies. Those costs include the recurring costs for that portion of the CIA already completed and any other costs associated with the deferral. The Case Preparation Charge also applies.</p>	
<p>b. Some But Not All CIA Are Deferred</p> <p>When some, but not all, CIA utilizing the specially constructed CIA are deferred, the Special Construction case will be completed. Maximum Termination Liability will apply in addition to Case Preparation Charges and any recurring charges associated with the Special Construction.</p>	
<p>4. <i>Construction Complete</i></p> <p>If the construction of CIA has been completed before the Telephone Company receives the customer's request for deferral, the Case Preparation Charge as originally determined, will apply and any recurring charges associated with the Special Construction. The maximum termination liability period will begin when the customer accepts the service.</p>	

XI. SPECIAL CONSTRUCTION (Continued)

<p>D. <u>Charges for Customers Choosing the Optional Liability Period to Provide Permanent CIA</u></p>				
<p>Customer Name/ <u>Effective Date</u></p>	<p>Description and Location</p>	<p>MTL/NRC <u>MRC/LS</u></p>	<p><u>Telco</u></p>	<p><u>Expiration Date</u></p>
<p>E. <u>Charges for Customers Choosing the Standard Liability Period to provide Permanent CIA</u></p> <p>This section contains the Special Construction charges to provide permanent CIA to individual customers. Charges are developed on an Individual Case Basis for a specific customer and filed in this section</p>				
<p>Customer Name/ <u>Effective Date</u></p>	<p>Description and Location</p>	<p>MTL/NRC <u>MRC/LS</u></p>	<p><u>Telco</u></p>	<p><u>Expiration Date</u></p>